

Door Closers

No longer are door closers minor conveniences, and energy savers for businesses: Barrier Free door closers are required to meet ADA requirements. S. Parker puts you up front with three models to serve, save and facilitate.

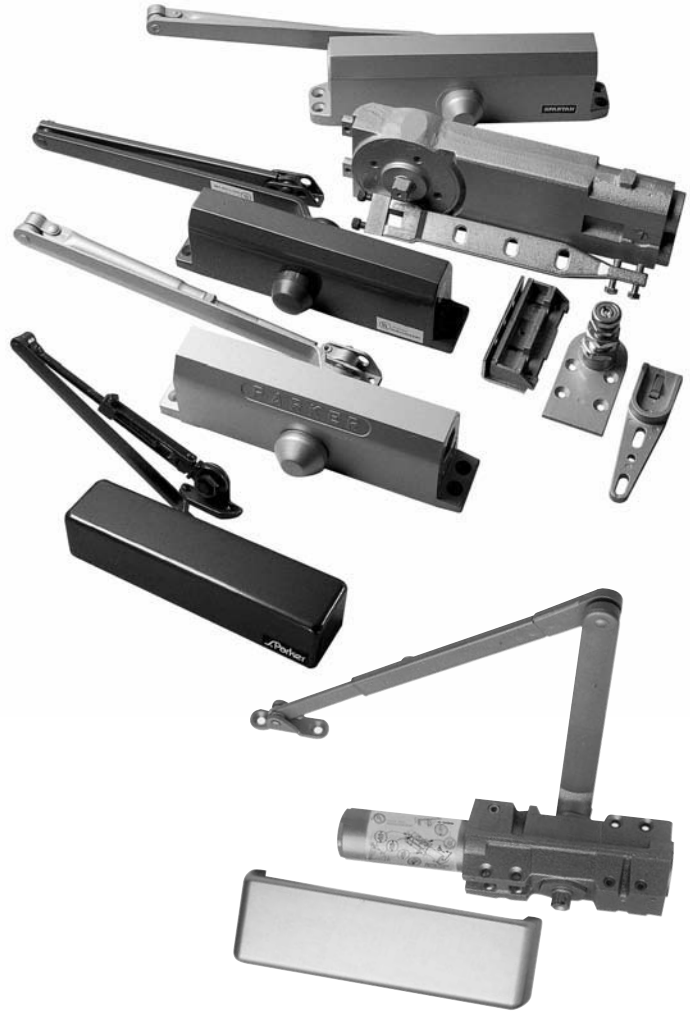
S. Parker's Barrier Free model, with opening force adjustable and closing power springing also adjustable from 1/2 to 4, meets ANSI A117.1-1986 requirements. Barrier Free requirements are met with closers that ease the opening cycle, thus making it easier for disabled persons to open the door.

The S. Parker Delayed Action closer takes no less than 20 seconds to close, allowing easy passage for disabled people. Delayed Action closers also make passage easier when hands are full, keeping the door from shutting on nurses carrying trays, and in similar situations. Multi-spring size power adjustment goes from 1/4 to 4, and the closer conforms to closing force code requirements in ANSI A156.4-1986.

The Combined Action unit provides all features of Barrier Free opening plus the light touch capabilities of closing, so disabled people can easily open, and readily pass through, the door. Multi-size spring power adjustment gives a range from 1/2 to 4.

Other models such as the Parker 500, 950 Series and our concealed door closers provide quality suitable for light, medium and heavy duty needs and other applications where back check is needed. There are extra heavy duty models for very wide doors. Our closers work with varying door widths up to 48" wide (exterior) and 54" wide (interior).

All S. Parker quality door closers are built to be long lasting, and operate well during their lifetime, because of the following features:



Technical Specifications:

900 Series Door Closer

- Smooth rack and pinion action
- Non-corroding, durable housing
- Separate adjustable speed controls for latching and closing
- Needle bearings to ensure smooth operation
- All-temperature hydraulics are not affected by severe temperature swings
- Non-handed, for right or left hand door opening applications
- Delayed Action Closer and Combined Units allow a closing speed to a maximum of 8 minutes, 50 seconds, with a minimum of 20 seconds. Closing speed is adjusted with the power adjusting nut.
- Aluminum, duranodic, white and black, finishes are available with different models in 950 and 500 series.
- Each Grade 1 closer is complete with parallel arm bracket, and full plastic cover
- Aluminum, duranodic, gold, polished brass, antique brass, antique nickel, dull chrome and satin brass finishes are available with different models in 900 series.
- Cover kits for the 900 series Barrier Free closers are available in brass and polished chrome finish.
- 10 Year Warranty

Overhead Concealed Door Closer

- UL Listed
- Dual valves sweep and latching speeds are easily adjusted
- Center hung fits into a standard 4-inch header
- Center pivoted for single and double action doors provides positive "centering"
- Fully adjustable radial ball bearing pivots for floor and threshold mounting
- Temperature sensitive hydraulic fluid delivers consistent closure speed all the time
- Available in 90° or 105° positive backstops
- ADA compliance available
- Complies with ANSI A156.4
- Light tension, medium and heavy spring tension units to match door sizes and weights
- 5-year warranty

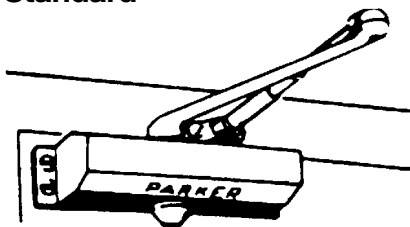
441BC Series Door Closer

- Cast Iron Body
- ANSI A156.4 Grade 1 and ADA Compliant
- UL Listed
- ADA Handicap Multi-sized Closers with Adjustable Spring Power for a Range of Sizes, Adjustable After Installation
- ISO 9002 Quality Assurance
- Available in a Choice of Three Arm Types, Heavy Duty Stop Arm with Hold Open, Heavy Duty Arm, or Standard Arm
- Tri-Style Installation: Installs Regular, Parallel Arm or Top Jamb
- Non-handed
- Adjustable Sweep and Latch Speeds: Separate Valves to Adjust Each
- Adjustable Backcheck: Standard
- Adjustable Delayed Action Closing Option Available
- Cover: High Impact, Molded Plastic Full Cover
- Power of Closer Can Be Adjusted to Conform to the Requirements of the Americans with Disabilities Act (ADA) and as Outlined in ANSI A 117.1 Specifications for Making Buildings and Facilities Accessible to, and Useable by the Physically Disabled
- Door Opening: Regular Arm 120°, Parallel Arm 180° and Top Jamb 120°
- 25 Year Warranty

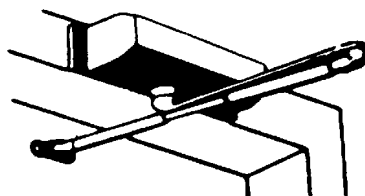
Applications:

Same template as popular brands for easy retrofit

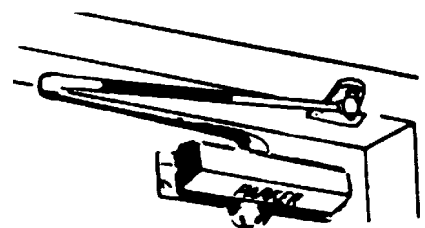
Standard



Top Jamb



Parallel Arm



900 Series Door Closer

10 Year Warranty



A sleek, superbly attractive and easily cleaned cover is included.

Grade 1 Barrier-Free & Delayed-Action Contractor Quality® Door Closers

S. Parker's Barrier Free and Delayed Action line of door closers presents a ten year warranty, meets ANSI Grade 1 A-156.4 standards, comes with adjustable closing speed for combined door opening ease and delayed action closing adjustment. These closers are specifically designed with the physically impaired in mind, and meet ADA standards, while easing access for the disabled. The UL Listed 900 Series comes in four basic designs.



ADA Grade 1 Door Closers

Product Number	Description
----------------	-------------

Barrier Free

BF900 AL	Aluminum Adjustable from 1/2 to 4
BF900 DUR	Duranodic Adjustable from 1/2 to 4
BF900 GLD	Gold Adjustable from 1/2 to 4
BF900 PB	Polished Brass Adjustable from 1/2 to 4

Delayed Action ADA Compliant at lower setting

DA900 AL	Aluminum Adjustable from 1 to 6
DA900 DUR	Duranodic Adjustable from 1 to 6

Combined Barrier Free and Delayed Action

CB900 AB	Antique Brass Adjustable from 1/2 to 4
CB900 AL	Aluminum Adjustable from 1/2 to 4
CB900 AN	Antique Nickel from 1/2 to 4
CB900 DCH	Dull Chrome Adjustable from 1/2 to 4
CB900 DUR	Duranodic Adjustable from 1/2 to 4
CB900 PB	Polished Brass Adjustable from 1/2 to 4
CB900 SB	Satin Brass Adjustable from 1/2 to 4

Spring Power Adjustment

ADA Compliant at lower setting. Also available architectural colors US3, US4, US5, US26

900BC AL	Aluminum Adjustable from 1 to 6
900BC DUR	Duranodic Adjustable from 1 to 6
900BC PB	Polished Brass Adjustable from 1 to 6

Optional Kits:

Cover, Arm and Parallel Arm Brackets

KIT900 PB	Polished Brass
KIT900 PCH	Polished Chrome
KIT900 AB	Antique Brass
KIT900 SB	Satin Brass

Hold Open Arm for 900 & 950 Series

HO ARM 900 AL	Aluminum
HO ARM 900 DUR	Duranodic
HO ARM 900PB	Polished Brass

Crossover Footprint

The following manufacturer's products fit the same physical footprint as our 900 Series Door Closer. If you have any questions regarding crossover specifications please contact us.

Same hole positions as:

- LCN 1461 PA
- Norton 8300/8500
- Dorma 8616
- Dor-O-Matic SC80
- SARGENT 1330/1430
- Yale P3300/3500
- Ryobi D3550/D4550

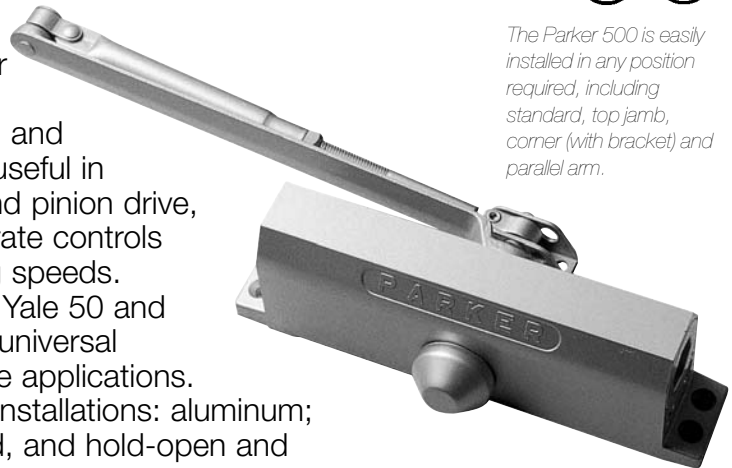
500 Series Door Closers

10 Year Warranty



Contractor Quality® Door Closers

The Parker 500 door closer is the best closer to use with **trimline aluminum or hollow metal doors**. The closer is surface mounted and non-handed to make it simple to install and useful in a wide range of applications. It has a rack and pinion drive, and permanent all-weather hydraulics. Separate controls adjust, at any time, both closing and latching speeds. Using the same template as the Parker 950, Yale 50 and Norton 1600, the Parker 500 Series offers a universal non-corroding aluminum body for narrow stile applications. It is available in a range of finishes to suit all installations: aluminum; duranodic; white. The Parker 500 is UL listed, and hold-open and back-check styles are available. The Parker 500 satisfies applicable fire codes.



The Parker 500 is easily installed in any position required, including standard, top jamb, corner (with bracket) and parallel arm.

Door Closers

500 Series Door Closers

Product Number	Description
----------------	-------------

Medium/Heavy Duty

48" Wide Interior or 36" Wide Exterior Door.
9¹/₆" Length, 3" Width, 1¹/₈" Height.

534 AL.....	Aluminum
534 DUR.....	Duranodic
1534 AL.....	Aluminum with Hold-Open Arm
1534 DUR.....	Duranodic with Hold-Open Arm

Medium/Heavy Duty with Backcheck

48" Wide Interior or 36" Wide Exterior Door.
9¹/₆" Length, 3" Width, 1¹/₈" Height.

534BC AL.....	Aluminum
534BC DUR.....	Duranodic
534BC WH.....	White
1534BC AL.....	Aluminum with Hold-Open Arm
1534BC DUR.....	Duranodic with Hold-Open Arm

500 Series Door Closers Parts

Product Number	Description
----------------	-------------

Regular Arm for 500 Closer

ARM 500 AL.....	Aluminum
ARM 500 DUR.....	Duranodic

Fusible Closer Arm

FUSARM 500 ALL.....	Aluminum Left Hand
FUSARM 500 ALR.....	Aluminum Right Hand
FUSARM 500 DRL.....	Duranodic Left Hand
FUSARM 500 DRR.....	Duranodic Right Hand

Hold Open Arm

HO ARM 500 AL.....	Aluminum
HO ARM 500 DUR.....	Duranodic

Product Number	Description
----------------	-------------

Heavy Duty with Backcheck

For Exterior Doors Wider Than 36".
9¹/₆" Length, 3" Width, 1¹/₈" Height.

535BC AL.....	Aluminum
535BC DUR.....	Duranodic
1535BC AL.....	Aluminum with Hold-Open Arm
1535BC DUR.....	Duranodic with Hold-Open Arm

Crossover Footprint

The following manufacturer's products fit the same physical footprint as our 500 Series Door Closer. If you have any questions regarding crossover specifications please contact us.

Same hole positions as:

- LCN 1070
- Norton 1600
- Dorma 7302/7414
- Dor-O-Matic SC60
- SARGENT 1330/1130
- Yale P51BC, 50
- Ryobi D1650

532-533 Series Closers – 8¹/₄" C to C for New Const.

Product Number	Description
----------------	-------------

Light/Medium Duty

32" Wide Interior or 27" Wide Exterior Door.
8¹/₆" Length, 2⁷/₃₂" Width, 1¹/₄" Height.

532 AL.....	Aluminum
532 DUR.....	Duranodic

Medium Duty

36" Wide Interior or 30" Wide Exterior Door.
8¹/₆" Length, 2²⁷/₃₂" Width, 1¹/₄" Height.

533 AL.....	Aluminum
533 DUR.....	Duranodic

Medium Duty with Back-Check

36" Wide Interior or 30" Wide Exterior Door.
8¹/₆" Length, 2²⁷/₃₂" Width, 1¹/₄" Height.

533BC AL.....	Aluminum
533BC DUR.....	Duranodic

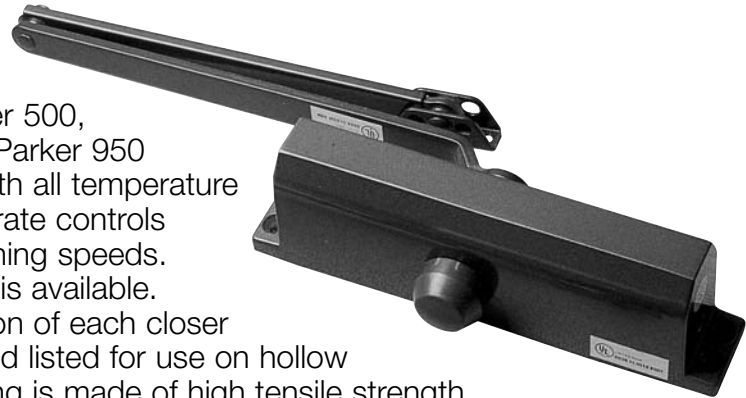
950 Series Door Closer

10 Year Warranty



Contractor Quality® Door Closers

The 950 closer features 2 speed controls for closing and latching. Non-handed and using the same template as many other national brands, including the Parker 500, the Yale 50 and the Norton 1600, the S. Parker 950 is a rack and pinion action door closer with all temperature hydraulics in an aluminum housing. Separate controls adjust, at any time, both closing and latching speeds. A fully adjustable model with back check is available.



S. Parker guarantees trouble free operation of each closer for 10 years. Each closer is UL tested, and listed for use on hollow metal fire rated doors. The exterior housing is made of high tensile strength aluminum. Available in aluminum, black, white and duranodic. The S. Parker 950 Series fits even extra heavy doors. Available with cover.

950 Series Door Closers

Product Number	Description
----------------	-------------

Heavy Duty

48" Wide Interior or 36" Wide Exterior Door
9¾" Length, 1¾" Width, 2¾" Height

954 AL.....	Aluminum
954 DUR	Duranodic
954 BC AL.....	Aluminum with Back Check
954 BC DUR	Duranodic with Back Check
954 BC BL	Black with Back Check
954 BC WH.....	White with Back Check
1954 AL.....	Aluminum with Hold-Open Arm
1954 DUR	Duranodic with Hold-Open Arm

Extra Heavy Duty

54" Wide Interior or 48" Wide Exterior Door
9¾" Length, 1¾" Width, 2¾" Height

955 BC AL.....	Aluminum with Back Check
955 BC DUR	Duranodic with Back Check

Crossover Footprint

The following manufacturer's products fit the same physical footprint as our 950 Series Door Closer. If you have any questions regarding crossover specifications please contact us.

Same hole positions as:

- LCN 1070 PA
- Norton 1600
- Dorma 7302/7414
- Dor-O-Matic SC60
- SARGENT 1330/1130
- Yale P51BC, 50
- Ryobi D1650

950 Series Door Closers Parts

Product Number	Description
----------------	-------------

Hold Open Arm for 900 & 950 Series

HO ARM 900 AL.....	Aluminum
HO ARM 900 DUR	Duranodic

Cover for 950 series

950 Cover.....	Specify finish
----------------	----------------

952-953 Series Closers – 8¼" C to C for New Const.

Product Number	Description
----------------	-------------

Medium Duty

32" Wide Interior or 27" Wide Exterior Door

952 AL.....	Aluminum
952 DUR	Duranodic

Medium/Heavy Duty

36" Wide Interior or 30" Wide Exterior Door

953 AL.....	Aluminum
953 DUR	Duranodic
953 BC AL.....	Aluminum with Back Check
953 BC DUR	Duranodic with Back Check

Door Closers

950 Series Tri-Pack Door Closer

10 Year Warranty



All-In-One Deluxe Door Closer Packages

Tri-Pack includes a 2 speed door closer that is non-handed. Rack and pinion action, with all temperature hydraulics. Separate controls adjust, at any time, both closing and latching speeds. **The parallel arm bracket and sex bolts for easy mounting are all included in the package.**



Available with cover.

PA 950 Series Door Closers

Product Number	Description
----------------	-------------

Heavy Duty

48" Wide Interior or 36" Wide Exterior Door

PA954 AL	Aluminum
PA954 DUR	Duranodic
PA954 BC AL	Aluminum with Back Check
PA954 BC DUR	Duranodic with Back Check

Extra Heavy Duty

54" Wide Interior or 48" Wide Exterior Door

PA955 BC AL	Aluminum with Back Check
PA955 BC DUR	Duranodic with Back Check

Crossover Footprint

The following manufacturer's products fit the same physical footprint as our 950 Series Door Closer. If you have any questions regarding crossover specifications please contact us.

Same hole positions as:

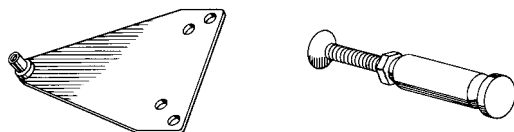
- LCN 1070
- SARGENT 1330/1130
- Norton 1600
- Yale P51BC, 50
- Dorma 7302/7414
- Ryobi D1650
- Dor-O-Matic SC60

PA 950 Series Door Closers Parts

Product Number	Description
----------------	-------------

Hold Open Arm for 900 & 950 Series Cover for 950 Series

HO ARM 900 AL.....	Aluminum
HO ARM 900 DUR	Duranodic
950 COVER.....	Specify finish



PA 950 Series Dr. Closers – 8³/₁₆" C to C for New Const.

Product Number	Description
----------------	-------------

Medium Duty

32" Wide Interior or 27" Wide Exterior Door

PA952 AL	Aluminum
PA952 DUR	Duranodic

Medium/Heavy Duty

36" Wide Interior or 30" Wide Exterior Door

PA953 AL	Aluminum
PA953 DUR	Duranodic

400 Series Overhead Concealed Door Closers

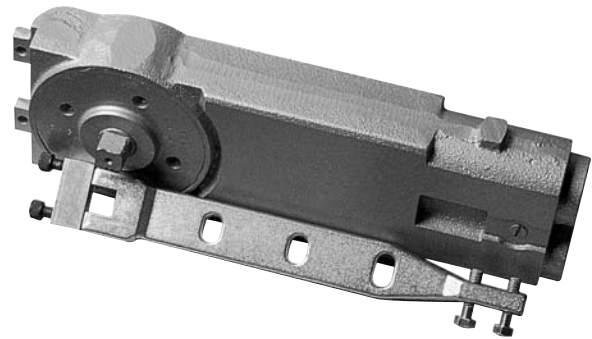
Contractor Quality® Door Closer

5 Year Warranty

The Overhead Concealed Door Closer is UL Listed (in certain functions). Separate controls adjust, at any time, both closing and latching speeds. Center hung fits into a standard 4-inch header. Center pivoted for single and double action doors provides positive “centering.” Fully adjustable radial ball bearing pivots for floor and threshold mounting are available. Temperature sensitive hydraulic fluid delivers consistent closure speed all the time. Available in 90° or 105° positive backstops. Light tension is ADA compliance. Complies with ANSI A156.4. Light, medium, and heavy spring tension units to match door sizes and weights. The Overhead Concealed Door Closer comes with 5-year warranty.



(When ordering specify body type, arm & pivot requirements)



400 Series Overhead Concealed Door Closers

Product Number	Description
----------------	-------------

Door Size: 30" & Under (760 mm & Under)

Maximum Door Weight: 155 lbs. (70 kgs), Spring Tension: Light, Opening Force: 8.5 lbs. Closing Force: 4.7 lbs.

402105 HO.....	105° Back Stop With Hold Open At 105°
402105 NHO.....	105° Back Stop – No Hold Open
40290 HO.....	90° Back Stop With Hold Open At 90°
40290 NHO.....	90° Back Stop – No Hold Open

Door Size: Up to 41" (Up to 1,040 mm)

Maximum Door Weight: 243 lbs. (110 kgs), Spring Tension: Medium, Opening Force: 12.48 lbs. Closing Force: 7.4 lbs.

403105 HO.....	105° Back Stop With Hold Open At 105°
403105 NHO.....	Back Stop – No Hold Open 105°
40390 HO.....	90° Back Stop With Hold Open At 90°
40390 NHO.....	90° Back Stop – No Hold Open

Door Size: Up to 48"

Maximum Door Weight: 360 lbs. (163 kgs), Spring Tension: Heavy, Opening Force: 16 lbs. Closing Force: 9.6 lbs.

404105 HO.....	105° Back Stop With Hold Open At 105°
404105 NHO.....	105° Back Stop – No Hold Open
40490 HO.....	90° Back Stop With Hold Open At 90°
40490 NHO.....	90° Back Stop – No Hold Open

Concealed Overhead Closer Components

400 SIDE ARM.....	Side Load Arm	
400 END ARM.....	End Load Arm	
400 OFF ALUM.....	Offset Arm, Aluminum Finish	For use with hinged doors
400 OFF DUR.....	Offset Arm, Duranodic Finish	
400 PIVOTS.....	Dual Purpose Bottom Pivots	
400 KARM.....	“K” Type Arm	

Crossover Footprint

The following manufacturer’s products fit the same physical footprint as our 400 Series Door Closer. If you have any questions regarding crossover specifications please contact us.

Same hole positions as:

- Dorma BTS
- Jackson JED101
- RIXSON RTS80
- International 200



400 Pivots: Dual Purpose Bottom Pivots

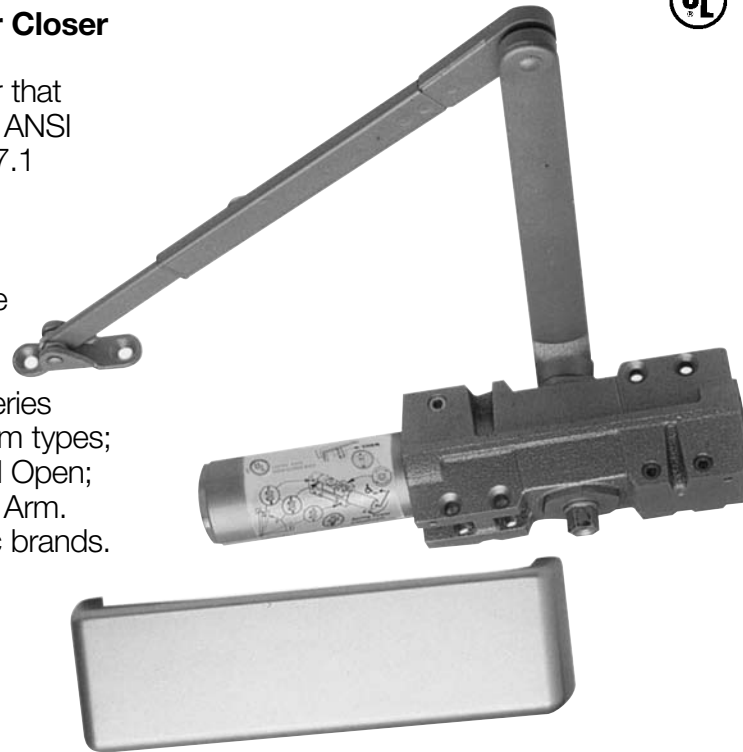
441BC Series Door Closer

25 Year Warranty



Multi-Size, Full Feature Door Closer

A power adjustable Door Closer that features a cast iron body and is ANSI A156.4 Grade 1 and ANSI A117.1 compliant. It is also UL Listed. Manufactured under ISO 9002 guidelines, this ADA (Handicap) multi-sized closer has adjustable Spring Power for a range of sizes which can be adjusted after installation. The 441 BC Series comes with a choice of three arm types; Heavy Duty Stop Arm with Hold Open; Heavy Duty Arm; or a Standard Arm. Same template as the domestic brands.



Door Closers

441BC Door Closer

Product Number	Description
----------------	-------------

441 BC AL.....	Aluminum
441 BC DUR	Duranodic
441 BC PCH	Polished Chrome
441 BC PB	Polished Brass
607441 AL.....	Mounting Plate Aluminum
607441 DUR	Mounting Plate Duranodic
HDARM 441 AL.....	Heavy Duty Arm Aluminum
HDARM 441 DUR.....	Heavy Duty Arm Duranodic
STOPARM 441 AL.....	Stop Arm Aluminum

Crossover Footprint
 The following manufacturer's products fit the same physical footprint as our 441BC Series Door Closer. If you have any questions regarding crossover specifications please contact us.

Same hole positions as:

- LCN 4041
- Norton 7500/7700
- Dorma 8916
- Dor-O-Matic SC70
- SARGENT 351
- Yale P400/4400
- RYOBI D3530

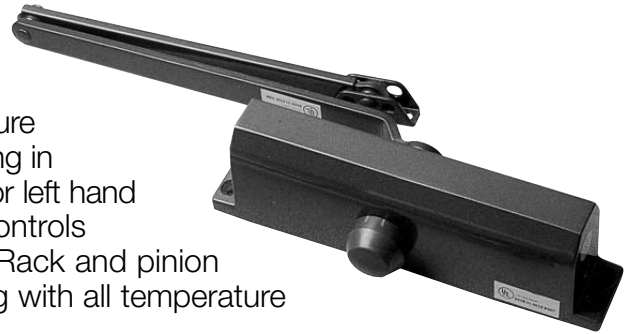
Door Closer Size	1	2	3	4	5	6
Max. Interior Door Size (in.)	32	36	42	48	54	58
Max. Exterior (Inswing) (in.)	28	32	36	42	48	52
Applicable Door weight (lbs.)	33-36	66-99	99-143	143-187	187-264	264-330
Power Adjustment	-6	-3	0	3	7	12
Full 360° Clockwise Turns of Adjustment Nut						

800 Series Adjustable Door Closer

10 Year Warranty

Streamline Contractor Quality® Door Closer Fully Adjustable Power Range from 1 to 4 and 1 to 5.

Spring-powered Door Closer with backcheck feature provides a shock absorber-like action while opening in the outswing cycle. Non-handed for use on right or left hand opening doors. Ideal for replacement. Separate controls easily adjust both closing and latching speeds. Rack and pinion action with fully enclosed non-corroding housing with all temperature hydraulics. Also available with a cover.



800 Series Adjustable Door Closers with Backcheck

Product Number	Description
----------------	-------------

The following three products will not be continued when supplies are exhausted:

814 BC AL.....	Adjustable 1 to 4 closing speed, Aluminum
814 BC DUR	Adjustable 1 to 4 closing speed, Duranodic
PA814 BC AL	Adjustable 1 to 4 closing speed, Aluminum with Parallel Arm bracket Template easily replaces S.Parker 534, 954, 1604 Norton and 54 Yale.

815 BC AL.....	Adjustable 1 to 5 closing speed, Aluminum
815 BC DUR	Adjustable 1 to 5 closing speed, Duranodic

Special Note: Can be templated to 2-6 by moving the closer 1" more away from the door jamb.

Crossover Footprint

The following manufacturer's products fit the same physical footprint as our 815 Series Door Closer. If you have any questions regarding crossover specifications please contact us.

Same hole position as:

- LCN 1070 PA
- Norton 1600/1601
- Dorma 7302/7414
- Dor-O-Matic SC60
- SARGENT 1330/1130
- Yale P51BC, 50
- Ryobi D1650

Residential Door Closer

Universal and Reversible Residential Door Closer

Residences can use the energy savings, safety and convenience of these closers, too, with the 00050 and 00051 models from S. Parker, at very sensible prices, offering similar features and convenience to closers used in commercial business applications. The S. Parker Residential Door Closer is universal and reversible so it fits right or left handed doors. The closer comes complete, with clear instructions and all needed parts and screws. S. Parker residential door closers are automatic, hydraulic and adjust with just a turn of a screw. Model 00050 is Ivory and model 00051 is Chocolate.



Residential Door Closer

Product Number	Description
----------------	-------------

These items will hold open wood or hollow metal doors up to 66 lbs (4" long, 2-1/2" deep, 2-1/4" high).
 00050Ivory Clamshell Pack
 00051Chocolate Clamshell Pack

Can be used with wood or hollow metal doors up to 140 lbs (6" long, 2-1/2" deep, 2-1/4" high).
 00052Ivory Clamshell Pack
 00053Chocolate Clamshell Pack



Door Closer Accessories



Radius Corner Lever Flush Bolts

R198 lever flush bolts have rounded corners, with long locking rods. Finishes are aluminum and duranodic, in both 1/8" and 1/4" offsets, with die cast alloy faces 1 5/16" x 5 5/8" in size.

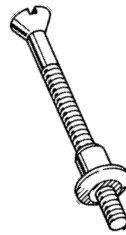
Item Number	Description
R198 ALQ	Aluminum with 1/4" offset
R198 DURQ	Duranodic with 1/4" offset
R198 ALE	Aluminum with 1/8" offset
R198 DURE	Duranodic with 1/8" offset



Hinge Pin Door Closer

The hinge pin door closer replaces the hinge pin in 3 1/2" or 4" hinges and closes the door without action on the part of any person. The 48 BP is brass plated and carded.

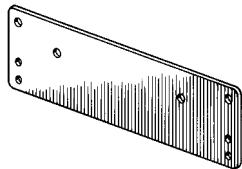
Item Number	Description
48 BP	Brass Plated



Thru Bolt and Grommet Nut

Thru bolt and grommet nut assemblies are 2 1/4" x 1/4"-20 thread, and are packed with one bolt and one nut per assembly.

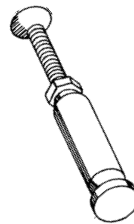
Item Number	Description
610 DUR	Duranodic
610 ZP	Zinc Plated



Drop Mounting Plates

Mounting Plates accept the body of the door closer on the bracket, with the closer arm fixed to the door. Complete with screws.

Item Number	Description
607 533AL	Aluminum for Items 532-952 and 533-953
607 533DUR	Duranodic for Items 532-952 and 533-953
607 534AL	Aluminum for Items 534-954 and 535-955
607 534DUR	Duranodic for Items 534-954 and 535-955
607 900AL	Aluminum for Items 900 DA/BF/CB
607 900DUR	Duranodic for Items 900 DA/BF/CB



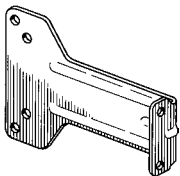
Sex Bolts

Sex bolts are 2 1/4" x 3/8" and include one screw and one sleeve per pack.

Item Number	Description
611 AL	Aluminum
611 DUR	Duranodic
612 AL	Aluminum with smaller head

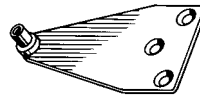
Parallel Arm Brackets

Parallel arm brackets for 500, 800 and 900 Series door closers with regular arms are supplied without screws. Door closer parallel arm bracket for 500 Series with a hold-open arm is supplied without screws. Parallel arm brackets for 500 and 950 Series with regular arm, and with shoe removed are shipped with screws.



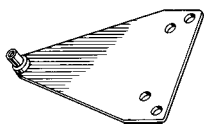
For 500 Series

Item Number	Description
609 AL	Aluminum
609 BZ	Bronze
609 DUR	Duranodic



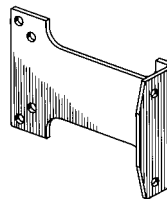
For 500 Series with Shoe Removed

Item Number	Description
A609 AL	Aluminum
A609 DUR	Duranodic



For 900 Series

Item Number	Description
608 AL	Aluminum
608 DUR	Duranodic



For 500 Series with Hold-Open Arm

Item Number	Description
HO609 AL	Aluminum
HO609 DUR	Duranodic