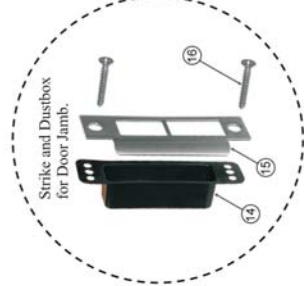
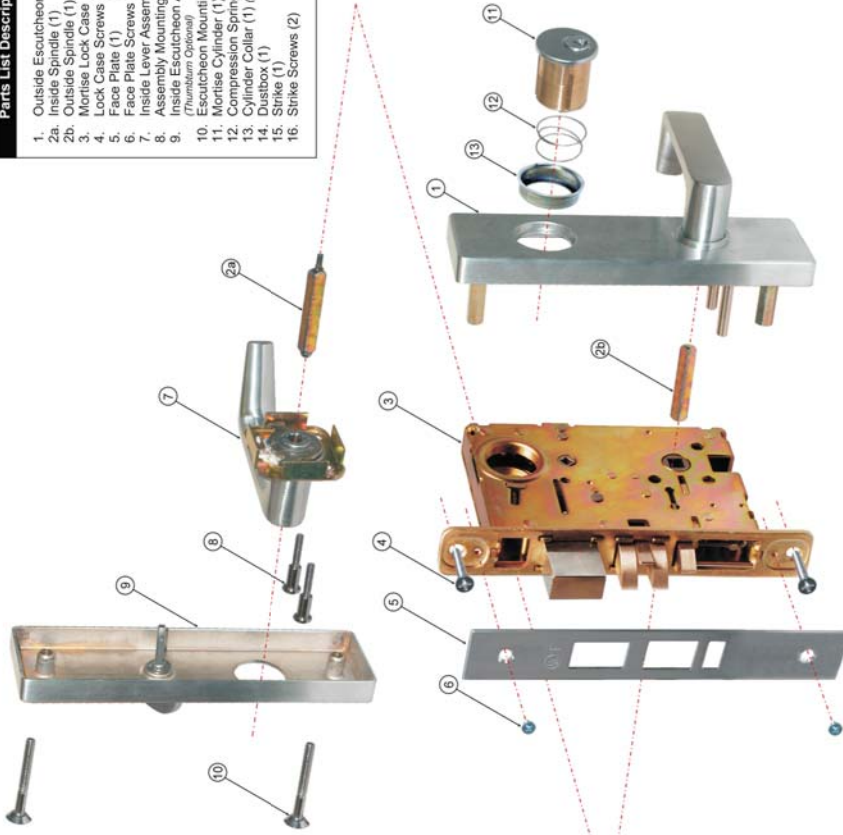


# S.Parker M Series ANSI Grade 1 Mortise Lock Installation Guide

## Regular / Wide Escutcheon

### INSTALLATION GUIDE

Parts List Description	
1.	Outside Escutcheon Assembly (1)
2a.	Inside Spindle (1)
2b.	Outside Spindle (1)
3.	Mortise Lock Case (1)
4.	Lock Case Screws (2)
5.	Face Plate (1)
6.	Face Plate Screws (2)
7.	Inside Lever Assembly (1)
8.	Assembly Mounting Screws (2)
9.	Inside Escutcheon Assembly (1) (Thumbturn Optional)
10.	Escutcheon Mounting Screws (2)
11.	Mortise Cylinder (1) (Optional)
12.	Compression Spring (1) (Optional)
13.	Cylinder Collar (1) (Optional)
14.	Dustbox (1)
15.	Strike (1)
16.	Strike Screws (2)

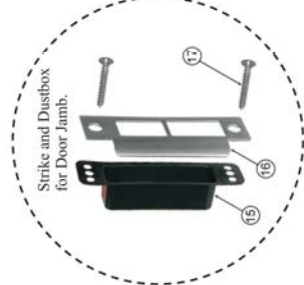
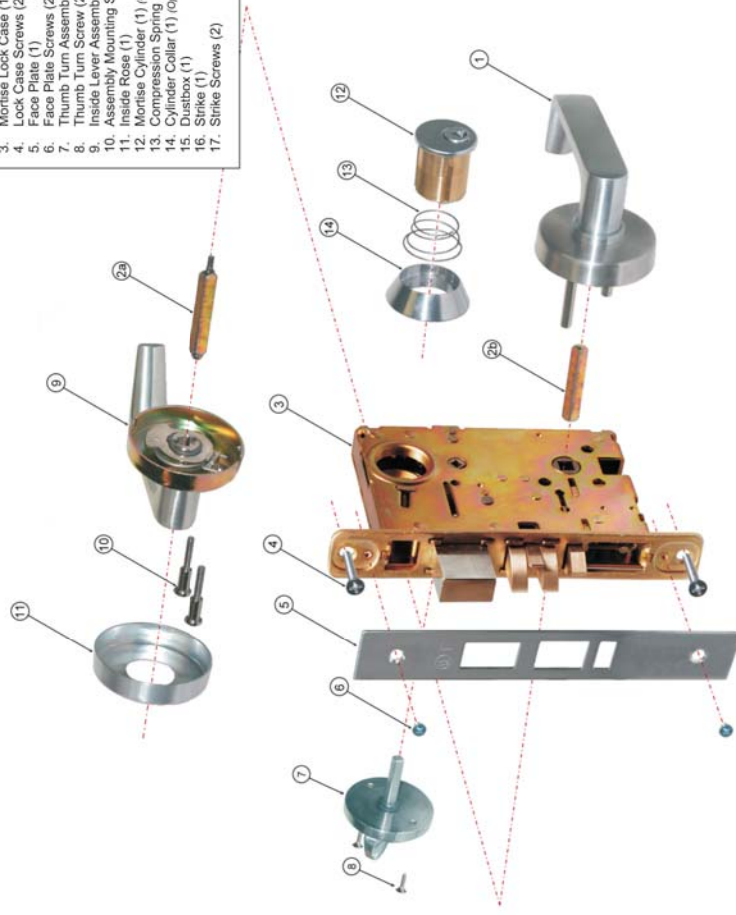


- Step 1: Prepare door per template (supplied).
- Step 2: Insert lockcase (3) into mortise cut-out (faceplate removed) and fasten to door with screws (4).
- Step 3: Insert inside (2a) and outside (2b) spindles into the lockcase hub and tighten screw.
- Step 4: Install outside escutcheon trim (1) onto spindle (2b) with the screw posts thru holes in lockcase.
- Step 5: Install inside mounting plate/lever assembly (7) onto spindle (2a) and secure inside (7) / outside (1) assemblies with two (8) screws temporarily.
- Step 6: Optional: Install cylinder (11), compression spring (12) and cylinder collar (13). Adjust accordingly, tighten set screw and check lock (use key) for function.
- Step 7: Tighten screws (8) and check lock for fit and function.
- Step 8: With the deadbolt projected, install the inside escutcheon trim (thumbturn in horizontal position) (9) and secure with two screws (10).
- Step 10: Install dustbox (14) and strike (15) to jamb and fasten with screws (16).

## Sectional

### INSTALLATION GUIDE

Parts List Description	
1.	Outside Lever Assembly (1)
2a.	Inside Spindle (1)
2b.	Outside Spindle (1)
3.	Mortise Lock Case (1)
4.	Lock Case Screws (2)
5.	Face Plate (1)
6.	Face Plate Screws (2)
7.	Thumb Turn Assembly (1) (Optional)
8.	Thumb Turn Screw (2) (Optional)
9.	Assembly Mounting Screws (2)
10.	Assembly Mounting Screws (2)
11.	Inside Rose (1)
12.	Mortise Cylinder (1) (Optional)
13.	Compression Spring (1) (Optional)
14.	Cylinder Collar (1) (Optional)
15.	Dustbox (1)
16.	Strike (1)
17.	Strike Screws (2)



- Step 1: Prepare door per template (supplied).
- Step 2: Insert lockcase (3) into mortise cut-out (faceplate removed) and fasten to door with screws (4).
- Step 3: Insert inside (2a) and outside (2b) spindles into the lockcase hub and tighten screw.
- Step 4: Install outside lever assembly (1) onto spindle (2b) with the screw posts thru holes in lockcase.
- Step 5: Install inside mounting plate/lever assembly (9) onto spindle (2a) and secure inside (9) / outside (1) assemblies with two (10) screws temporarily.
- Step 6: Optional: Install cylinder (12), compression spring (13) and cylinder collar (14). Adjust accordingly, tighten set screw and check lock (use key) for function.
- Step 7: Install faceplate (5) with two screws (6).
- Step 8: Tighten screws (10) and check lock for fit and function.
- Step 9: Slide inside rose (11) onto inside lever assembly (9). Align indented dot over bottom notch and press to secure.
- Step 10: Install dustbox (15) and strike (16) to jamb and fasten with screws (17).
- Step 11: Install thumbturn assembly (if required).