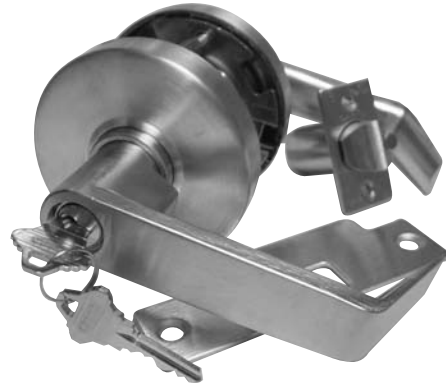


# 8161 Series Extra Heavy Duty Leversets

## Grade 1 Extra Heavy Duty Contractor Quality® Leversets

- Meets or exceeds Federal ADA requirements
- UL latch bolt standard for every function, with ½" throw
- Large 3½" diameter roses for new or replacement installations
- 47⁄8" ANSI strike is standard with each lock
- UL listed, 3-hour fire rated 2¾" backset commercial latch
- Extra heavy cylindrical construction for long-wearing durable use
- Extra heavy duty mounting plates are resistant to attack
- 6 pin tumbler, SC-1 Keyway, Pinned 5
- Mounting studs prevent chassis rotation from heavy torque to the outside lever
- Accepts Lori, DOM, or Medeco convert-a-lock cylinders
- Outside cylinder is easily removed for simple cylinder rekeying
- Dead locking latch on all keyed leversets
- Special keying available (Master and Grand Master)



## Grade 1 Leverset with Single Step Roses

| Product Number | Description |
|----------------|-------------|
|----------------|-------------|

### Entry Lock Boxed

|             |                                |
|-------------|--------------------------------|
| C8161A03KD  | Polished Brass with Clutch     |
| C8161A10BKD | Oil Rubbed Bronze with Clutch  |
| C8161A26DKD | Dull Chrome with Clutch        |
| C8161A26DIC | Dull Chrome for IC with Clutch |

### Classroom Lock Boxed

|             |                                |
|-------------|--------------------------------|
| C8161R03    | Polished Brass with Clutch     |
| C8161R10B   | Oil Rubbed Bronze with Clutch  |
| C8161R26D   | Dull Chrome with Clutch        |
| C8161R26DIC | Dull Chrome for IC with Clutch |

### Storeroom Lock Boxed

|             |                                |
|-------------|--------------------------------|
| C8161D03KD  | Polished Brass with Clutch     |
| C8161D10BKD | Oil Rubbed Bronze with Clutch  |
| C8161D26DKD | Dull Chrome with Clutch        |
| C8161D26DIC | Dull Chrome for IC with Clutch |

| Product Number | Description |
|----------------|-------------|
|----------------|-------------|

### Privacy Lock Boxed

|          |                   |
|----------|-------------------|
| 8161P03  | Polished Brass    |
| 8161P10B | Oil Rubbed Bronze |
| 8161P26D | Dull Chrome       |

### Passage Set Boxed

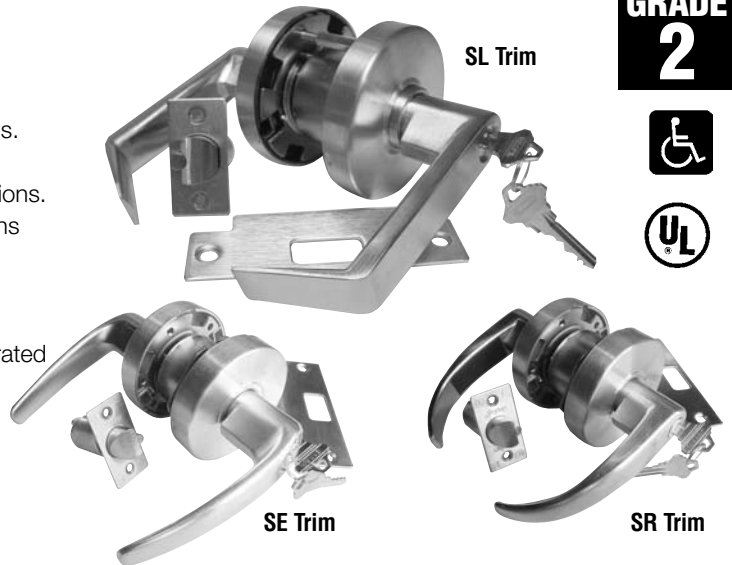
|          |                   |
|----------|-------------------|
| 8161N03  | Polished Brass    |
| 8161N10B | Oil Rubbed Bronze |
| 8161N26D | Dull Chrome       |

# SL8160 Series Heavy Duty Leversets

## Grade 2 Contractor Quality® Heavy Duty Cylindrical Leversets

UL listed, ADA approved Grade 2 barrier-free leversets are ready for all ADA and other needs in passage, privacy, storeroom, classroom and dummy functions, in addition to entry models. The customer may provide the lock cylinder and key. Leversets meet ANSI A156.2 Series 4000 Grade standards and more than fulfill ADA requirements. The ANSI Series 4000 standard exceeds 400,000 operating cycles. S. Parker leverset features and functions include:

- Single step roses
- Cold rolled steel housing
- Reversible, non-handed
- Fits doors from 1 3/8" to 1 3/4" thick
- 2 3/4" backset UL listed latch bolt. Standard for all functions.
- 2 3/8" BS available upon request
- 1 1/4" x 4 7/8" ANSI strike. Standard for all leversets, all functions.
- 6 pin solid brass SC-1 ILCO #1145 keyway, keyed to 5 pins
- Special keying available (Master and Grand Master)
- 2 keys
- Separate lever spring mechanisms help prevent sag
- 1/2" throw solid brass latch-bolt, UL listed, three hour fire rated
- Full 5" long handles on all levers in all functions
- Accepts Lori 1539/1590; ILCO 7035; DOM 1x5HT Medeco 20-200A1 or ASSA cylinder plugs
- Convertible Posts



### SL8160 Series with Single Step Roses

| Product Number | Description |
|----------------|-------------|
|----------------|-------------|

#### Entry Lock Boxed

|                        |                                       |
|------------------------|---------------------------------------|
| SL8160A03KD            | Polished Brass Keyed Different        |
| SL8160A03K_ (add KA#)  | Polished Brass Key #U, #W, #X, #Y, #Z |
| SL8160A04KD            | Satin Brass Plated Keyed Different    |
| <b>CSL8160A03KD</b>    | <b>Polished Brass (Clutch)</b>        |
| SL8160A04KU            | Satin Brass Plated Key #U             |
| SL8160A10BKD           | Oil Rubbed Bronze Keyed Different     |
| <b>CSL8160A10BKD</b>   | <b>Oil Rubbed Bronze (Clutch)</b>     |
| SL8160A10BK_ (add KA#) | Oil Rubbed Bronze Key #U, #W, #X      |
| SL8160A26DKD           | Dull Chrome Keyed Different           |
| <b>CSL8160A26DKD</b>   | <b>Dull Chrome (Clutch)</b>           |
| SL8160A26DK_ (add KA#) | Dull Chrome Key #U, #W, #X            |
| SL8160A26DMKD          | Dull Chrome Master Keyed              |
| SL8160A26DK2           | Dull Chrome Keyed Alike in 2          |
| SL8160A26DIC           | Dull Chrome Accepts IC                |
| SL8160A26KD            | Polished Chrome Keyed Different       |
| SL8160A26K (add KA#)   | Polished Chrome Key #U, #W, #X        |

#### Passage Set Boxed

|            |                    |
|------------|--------------------|
| SL8160N03  | Polished Brass     |
| SL8160N10B | Oil Rubbed Bronze  |
| SL8160N26  | Polished Chrome    |
| SL8160N26D | Dull Chrome        |
| SL8160N04  | Satin Brass Plated |

#### Privacy Lock Boxed

|            |                    |
|------------|--------------------|
| SL8160P03  | Polished Brass     |
| SL8160P10B | Oil Rubbed Bronze  |
| SL8160P26  | Polished Chrome    |
| SL8160P26D | Dull Chrome        |
| SL8160P04  | Satin Brass Plated |

| Product Number | Description |
|----------------|-------------|
|----------------|-------------|

#### Storeroom Lock Boxed

|                    |                                   |
|--------------------|-----------------------------------|
| SL8160D03          | Polished Brass                    |
| <b>CSL8160D03</b>  | <b>Polished Brass (Clutch)</b>    |
| SL8160D10B         | Oil Rubbed Bronze                 |
| <b>CSL8160D10B</b> | <b>Oil Rubbed Bronze (Clutch)</b> |
| SL8160D10BIC       | Oil Rubbed Bronze Accepts IC      |
| SL8160D26          | Polished Chrome                   |
| SL8160D26D         | Dull Chrome                       |
| <b>CSL8160D26D</b> | <b>Dull Chrome (Clutch)</b>       |
| SL8160D26DIC       | Dull Chrome Accepts IC            |
| SL8160D04          | Satin Brass Plated                |

#### Classroom Lock Boxed

|                    |                                   |
|--------------------|-----------------------------------|
| SL8160R03          | Polished Brass                    |
| SL8160R10B         | Oil Rubbed Bronze                 |
| <b>CSL8160R10B</b> | <b>Oil Rubbed Bronze (Clutch)</b> |
| SL8160R26          | Polished Chrome                   |
| SL8160R26D         | Dull Chrome                       |
| <b>CSL8160R26D</b> | <b>Dull Chrome (Clutch)</b>       |
| SL8160R26DIC       | Dull Chrome Accepts IC            |
| SL8160R04          | Satin Brass Plated                |

#### Dummy Levers Boxed

|            |                   |
|------------|-------------------|
| SL8160Y03  | Polished Brass    |
| SL8160Y10B | Oil Rubbed Bronze |
| SL8160Y26  | Polished Chrome   |
| SL8160Y26D | Dull Chrome       |

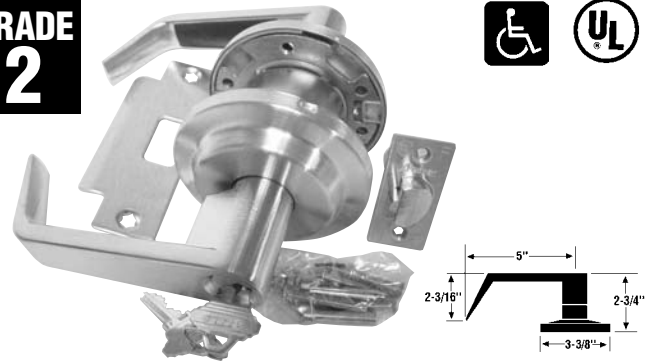
#### Twin Connecting Boxed

|             |                   |
|-------------|-------------------|
| SL8160TC03  | Polished Brass    |
| SL8160TC10B | Oil Rubbed Bronze |
| SL8160TC26D | Dull Chrome       |

# SL7160 Series with Two Step Rose

UL listed, ADA approved Grade 2 barrier-free leversets are ready for all ADA and other needs in passage, privacy, storeroom, classroom and dummy functions, in addition to entry models. The customer may provide the lock cylinder and key. Leversets meet ANSI A156.2 Series 4000 Grade standards and more than fulfill ADA requirements. The ANSI Series 4000 standard exceeds 400,000 operating cycles. S. Parker leverset features and functions include:

**GRADE  
2**



- Two step rose
- Cold rolled steel housing
- Reversible, non-handed
- Fits doors from 1 3/8" to 1 3/4" thick
- 2 3/4" backset UL listed latch bolt. Standard for all functions.
- 2 3/8" backset latchbolt available
- 1 1/4" x 4 7/8" ANSI strike. Standard for all leversets, all functions.
- 6 pin solid brass SC-1 keyway, ILCO #1145, keyed to 5 pins

- Special keying available (Master and Grand Master)
- 2 keys
- Separate lever spring mechanisms help prevent sag
- 1/2" throw solid brass latch-bolt, UL listed, three hour fire rated
- Full 5" long handles on all levers in all functions
- Accepts Lori 1539/1590; ILCO 7035; DOM 1x5HT Medeco 20-200A1 or ASSA cylinder plugs
- Convertible Posts

## SL7160 Grade 2 Leverset with Two Step Rose

| Product Number | Description |
|----------------|-------------|
|----------------|-------------|

### Entry Lock Boxed

|                        |   |
|------------------------|---|
| SL7160A03K2            | Polished Brass Keyed Alike in 2             |
| SL7160A03KD            | Polished Brass Keyed Different              |
| SL7160A03K_ (add KA#)  | Polished Brass Key #U, #W, #X, #Y, #Z       |
| SL7160A03MKD           | Polished Brass Master Keyed                 |
| <b>CSL7160A03KD</b>    | <b>Polished Brass Keyed Diff. (Clutch)</b>  |
| SL7160A10BKD           | Oil Rubbed Bronze Keyed Different           |
| SL7160A10BK_ (add KA#) | Oil Rubbed Bronze Key #U, #W, #X, #Y, #Z    |
| SL7160A26DK2           | Dull Chrome Keyed Alike in 2                |
| SL7160A26DKD           | Dull Chrome Keyed Different                 |
| <b>CSL7160A26DKD</b>   | <b>Dull Chrome Keyed Different (Clutch)</b> |
| SL7160A26DK_ (add KA#) | Dull Chrome Key #U, #W, #X, #Y, #Z          |
| <b>CSL7160A26DKU</b>   | <b>Dull Chrome Key (Clutch) #U</b>          |
| SL7160A26DMKD          | Dull Chrome Master Keyed                    |
| SL7160A26DKDE          | Dull Chrome Keyed Different 2-3/8" B.S.     |
| SL7160A26KD            | Polished Chrome Keyed Different             |
| SL7160A26K_ (add KA#)  | Polished Chrome Key #U, #W, #X, #Y, #Z      |

### Passage Set Boxed

|             |                         |
|-------------|-------------------------|
| SL7160N03   | Polished Brass          |
| SL7160N10B  | Oil Rubbed Bronze       |
| SL7160N26   | Polished Chrome         |
| SL7160N26D  | Dull Chrome             |
| SL7160N26DE | Dull Chrome 2-3/8" B.S. |

### Privacy Lock Boxed

|             |                         |
|-------------|-------------------------|
| SL7160P03   | Polished Brass          |
| SL7160P10B  | Oil Rubbed Bronze       |
| SL7160P26   | Polished Chrome         |
| SL7160P26D  | Dull Chrome             |
| SL7160P26DE | Dull Chrome 2-3/8" B.S. |

| Product Number | Description |
|----------------|-------------|
|----------------|-------------|

### Storeroom Lock Boxed

|                    |                                |
|--------------------|--------------------------------|
| SL7160D03          | Polished Brass                 |
| <b>CSL7160D03</b>  | <b>Polished Brass (Clutch)</b> |
| SL7160D10B         | Oil Rubbed Bronze              |
| SL7160D26          | Polished Chrome                |
| SL7160D26D         | Dull Chrome                    |
| <b>CSL7160D26D</b> | <b>Dull Chrome (Clutch)</b>    |
| SL7160D26DKU       | Dull Chrome Key #U             |

### Classroom Lock Boxed

|                    |                                |
|--------------------|--------------------------------|
| SL7160R03          | Polished Brass                 |
| <b>CSL7160R03</b>  | <b>Polished Brass (Clutch)</b> |
| SL7160R10B         | Oil Rubbed Bronze              |
| SL7160R26          | Polished Chrome                |
| SL7160R26D         | Dull Chrome                    |
| <b>CSL7160R26D</b> | <b>Dull Chrome (Clutch)</b>    |
| SL7160R26DKU       | Dull Chrome Key #U             |
| SL7160R26DK2       | Dull Chrome Keyed Alike in 2   |

### Dummy Levers Boxed

|            |                 |
|------------|-----------------|
| SL7160Y03  | Bright Brass    |
| SL7160Y10B | Oil Bronze      |
| SL7160Y26  | Polished Chrome |
| SL7160Y26D | Dull Chrome     |

# L6160 Grade 2 Tubular “L” Lever

## ANSI- A 156.2, Series 4000, Grade 2

Lock Housing and Chassis – Cold rolled steel with zinc dichromate finish for corrosion resistance. Requires standard 2-1/8” (53.97mm) bore through door.

**Backset:** Adjustable-2-3/4” to 2-3/8”

**Door Thickness:** 1-3/8” to 1-3/4”

**Latch:** Brass 1/2” throw, Adjustable – UL on keyed functions

**Guarded Latchbolt on all locking functions**

**Latch front:** 1 X 2-1/4”

**Strike:** 4-7/8” A.S.A., option- 2-1/4” full lip strike.

**Cylinder:** Solid brass 6 pin keyed 5, SC-1 keyway, Locks will accept Lori plugs. Master key and Grand Master key available.

**Keys:** 2 per lock

**Handed:** Non-handed

**Finishes:** 26D

**Packaging:** 10 per case– boxed

**Standard Package:** Entrance includes- 2-3/4” backset latch, 2-3/4” T-Strike, SC-1 key-way, 2 keys

**Available Functions:** Entrance, Passage, Privacy, Storeroom, or Classroom

**Trim:** Single step rose, standard lever



Grade 2 Tubular “L” Leverset

## L6160 Grade 2 Tubular “L” Levers

| Product Number   | Description                |
|--|----------------------------|
| <b>Grade 2 Tubular “L” Levers</b> Standard Duty, Dull Chrome Finish, ANSI Strike, Adjustable Backset |                            |
| L6160A26DKD.....   | Entry UL Latch SC-1 Keyway |
| L6160N26D.....   | Passage                    |
| L6160P26D.....   | Privacy                    |
| L6160D26D.....   | Storeroom                  |
| L6160R26D.....   | Classroom                  |

See page 169 in our large catalog for Gr. 2 Clamshell Pack Levers.

# B8161 Series Grade 1 Extra Heavy Duty Ball Knobs

## 8161- Series Cylindrical Ball Knob, ANSI- A 156.2, Series 4000, Grade 1, UL Federal Specification FF-H-106C

Lock Housing and Chassis– Cold rolled steel with zinc dichromate finish for corrosion resistance. Requires standard 2 1/8” (53.97mm) bore through door.

**Backset:** 2-3/4”,

**Door Thickness:** 1-3/8” to 2”

**Latch:** Brass 1/2” throw, UL- Fire Rated for 3 hour doors,

**Guarded Latchbolt on all locking functions**

**Latch front:** 1-1/8” X 2-1/4” for 2-3/4” backset.

**Strike:** 4-7/8”A.S.A.

**Cylinder:** Solid brass 6 pin keyed 5, SC-1 keyway, #1145 or AR-1 keyway. Locks will accept Lori plugs. Master key and Grand Master key available.

**Keys:** 2 per lock

**Handed:** Non-handed

**Finishes:** US32D

**Packaging:** 20 per case– boxed

**Available Functions:** Entrance, Passage

**Trim:** Knob 2-1/4” dia., Rose 3” dia., Projection from door surface 2-1/2”



## B8161 Grade 1 Extra Heavy Duty Ball Knobs

| Product Number           | Description     |
|--------------------------|-----------------|
| <b>Entry Lock Boxed</b>  |                 |
| B8161A32DKD.....         | Stainless Steel |
| <b>Passage Set Boxed</b> |                 |
| B8161N32D.....           | Stainless Steel |

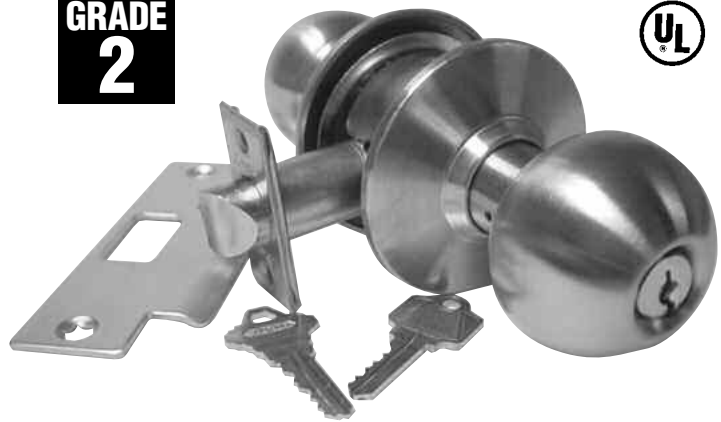
## B9160 Series Grade 2 Heavy Duty Cyl. Locksets - Clamshell Packaging

| Product Number        | Description     |
|-----------------------|-----------------|
| <b>Entry Lock</b>     |                 |
| 91610.....            | Polished Brass  |
| 91612.....            | Stainless Steel |
| <b>Storeroom Lock</b> |                 |
| 91632.....            | Stainless Steel |
| <b>Passage Lock</b>   |                 |
| 91650.....            | Polished Brass  |
| 91652.....            | Stainless Steel |
| <b>Privacy Lock</b>   |                 |
| 91660.....            | Polished Brass  |
| 91662.....            | Stainless Steel |

# B9160 Series Grade 2 Cylindrical Locksets

**B9160- Series Cylindrical Ball Knob, ANSI- A 156.2, Series 4000, Grade 2, Federal Specifications FF-H-106C, Series 160**

**GRADE  
2**



**Lock Housing and Chassis— Cold rolled steel with zinc dichromate finish for corrosion resistance. Requires standard 2-1/8" (53.97mm) bore through door.**

**Backset:** 2-3/4", optional- 2-3/8"

**Door Thickness:** 1-3/8" to 1-3/4"

**Latch:** Brass 1/2" throw, **UL available,**

**Guarded Latchbolt on all keyed functions**

**Latch front:** 1" X 2-1/4" for 2-3/8" backset or 1-1/8" X 2-1/4" for 2-3/4" backset.

**Strike:** 4-7/8" A.S.A, option—2-3/4" T strike, or 2-1/4" full lip strike.

**Cylinder:** Solid brass 6 pin keyed 5, SC-1 keyway, #1145 or AR-1 keyway. Locks will accept Lori plugs. Master key and Grand Master key available.

**Keys:** 2 per lock

**Handed:** Non-handed

**Finishes:** US3, US32D

**Packaging:** 20 per case— boxed

**Standard Package:** Keyed functions include — 2-3/4" backset latch- (UL available), 4-7/8" A.S.A strike SC-1 keyway, 2 spin on roses, 2 keys

**Available Functions:** Entrance, Passage, Privacy, Storeroom, Classroom or Single Dummy

**Trim:** Knob 2-1/4" dia., Rose 3" dia., Projection from door surface 2-1/2"

Manufactured to the highest quality standards and exceeding Grade 2 Certification, our **B9160 Series** is crafted to install easily, accepts most industry cylinders and provides heavy duty performance as compared to other brands offering standard or light duty Grade 2 locksets.

## B9160 Series Grade 2 Heavy Duty Cylindrical Locksets

| Product Number | Description |
|----------------|-------------|
|----------------|-------------|

### Entry Lock

#### Schlage Keyway SC-1:

|                        |   |
|------------------------|---|
| B9160 A03KD            | Polished Brass Keyed Different              |
| B9160 A03K4            | Polished Brass Keyed Alike in 4             |
| B9160 A03K20           | Polished Brass Keyed Alike in 20            |
| B9160 A03MKD           | Polished Brass Master Keyed                 |
| B9160 A32KD            | Stainless Steel Keyed Different             |
| B9160 A32KDE           | S.S. Keyed Diff. <b>w/ 2-3/8" B.S.</b>      |
| B9160 A32K2            | Stainless Steel Keyed Alike in 2            |
| B9160 A32K2E           | S.S. Keyed Alike in 2 <b>w/ 2-3/8" B.S.</b> |
| B9160 A32K4            | Stainless Steel Keyed Alike in 4            |
| B9160 A32K_(add Key #) | Stainless Steel Key #U, #W, #X              |
| B9160 A32MKD           | Stainless Steel Master Keyed                |

#### Arrow Keyway:

|               |                                   |
|---------------|-----------------------------------|
| K9160 A03KD   | Polished Brass Keyed Different    |
| K9160 A03K4   | Polished Brass Keyed Alike in 4   |
| K9160 A32KD   | Stainless Steel Keyed Different   |
| K9160 A32K4   | Stainless Steel Keyed Alike in 4  |
| K9160 A32K20  | Stainless Steel Keyed Alike in 20 |
| K9160 A32 MKD | Stainless Steel Master Keyed      |

### Storeroom Lock

#### Schlage Keyway SC-1:

|             |                            |
|-------------|----------------------------|
| B9160 D03   | Polished Brass             |
| B9160 D03KU | Polished Brass Key #U      |
| B9160 D03KA | Polished Brass Keyed Alike |
| B9160 D32   | Stainless Steel            |

| Product Number | Description |
|----------------|-------------|
|----------------|-------------|

|             |                            |
|-------------|----------------------------|
| B9160 D32E  | S.S. <b>w/ 2-3/8" B.S.</b> |
| B9160 D32KU | Stainless Steel Key #U     |

#### Arrow Keyway:

|             |                             |
|-------------|-----------------------------|
| K9160 D03   | Polished Brass              |
| K9160 D32   | Stainless Steel             |
| K9160 D32KA | Stainless Steel Keyed Alike |

### Passage Set

|            |   |
|------------|---|
| B9160 N03  | Polished Brass                          |
| B9160 N03E | Polished Brass <b>with 2-3/8" B.S.</b>  |
| B9160 N32  | Stainless Steel                         |
| B9160 N32E | Stainless Steel <b>with 2-3/8" B.S.</b> |

### Privacy Lock

|              |                                  |
|--------------|----------------------------------|
| B9160 P03    | Polished Brass                   |
| B9160 P32    | Stainless Steel                  |
| B9160 P03XSS | Polished Brass x Stainless Steel |

### Classroom Lock

|            |                                    |
|------------|------------------------------------|
| B9160 R32  | Stainless Steel SC-1 Keyway        |
| B9160R32KU | Stainless Steel SC-1 Keyway Key #U |

### Dummy

|          |                 |
|----------|-----------------|
| B9160Y03 | Polished Brass  |
| B9160Y32 | Stainless Steel |

Note: KW keyway now available for all locksets.

# P9160 Series – Grade 2 Plymouth Style

**P9160- Series Cylindrical Plymouth Knob, ANSI- A 156.2, Series 4000, Grade 2, Federal Specifications FF-H-106C, Series 160**



**Lock Housing and Chassis– Cold rolled steel with zinc dichromate finish for corrosion resistance. Requires standard 2 1/8" (53.97mm) bore through door.**

- Backset:** 2-3/4", optional- 2-3/8"
- Door Thickness:** 1-3/8" to 1-3/4"
- Latch:** Brass 1/2" throw, **UL available, Guarded Latchbolt on all keyed functions**
- Latch front:** 1 X 2-1/4" for 2-3/8" backset or 1-1/8" X 2-1/4" for 2-3/4" backset.
- Strike:** 4-7/8" A.S.A, option—2-3/4" T strike, or 2-1/4" full lip strike.
- Cylinder:** Solid brass 6 pin keyed 5, SC-1 keyway, #1145 or AR-1 keyway. Locks will accept Lori plugs. Master key and Grand Master key available.
- Keys:** 2 per lock
- Handed:** Non-handed
- Finishes:** US3, US32D
- Packaging:** 20 per case– boxed

**Standard Package:** Keyed functions include — 2-3/4" backset latch- (UL available), 4-7/8" A.S.A strike SC-1 keyway, 2 spin on roses, 2 keys

**Available Functions:** Entrance, Passage, Privacy, Storeroom, Classroom or Single Dummy  
**Trim:** Knob 2-1/4" dia., Rose 3" dia., Projection from door surface 2-1/2"

Manufactured to the highest quality standards and exceeding Grade 2 Certification, our **P9160 Series** is crafted to install easily, accepts most industry cylinders and provides heavy duty performance as compared to other brands offering standard or light duty Grade 2 locksets.

## Contractor Quality® Cylindrical Construction Grade 2 Locksets

| Product Number         | Description                   |
|------------------------|-------------------------------|
| <b>Stainless Steel</b> |                               |
| P9160A32KD             | Plymouth Entry Knob (32D)     |
| P9160D32               | Plymouth Storeroom Knob (32D) |
| P9160P32               | Plymouth Privacy Knob (32D)   |
| P9160N32               | Plymouth Passage (32D)        |

|                       |                               |
|-----------------------|-------------------------------|
| <b>Polished Brass</b> |                               |
| P9160A03KD            | Plymouth Entry Knob (32D)     |
| P9160D03              | Plymouth Storeroom Knob (32D) |

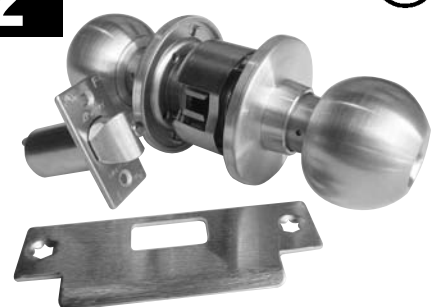
| Product Number | Description                          |
|----------------|--------------------------------------|
| P9160P03       | Plymouth Privacy Knob (32D)          |
| P9160N03       | Plymouth Passage (32D)               |
| <b>Latches</b> |                                      |
| 93000          | 2-3/8" Latch Polished Brass (US03)   |
| 93002          | 2-3/8" Latch Stainless Steel (US32D) |

# ULB9160 Series Grade 2 Extra Heavy Duty Ball Knob

| Product Number           | Description  |
|--------------------------|--|
| <b>Entry Lock</b>        |  |
| ULB9160 A03K4            | Polished Brass SC-1 Keyway Keyed Alike in 4        |
| ULB9160 A03MK            | Polished Brass SC-1 Keyway Master Keyed            |
| ULB9160 A32K4            | Stainless Steel SC-1 Keyway Keyed Different        |
| ULB9160 A32K4            | Stainless Steel SC-1 Keyway Keyed Alike in 4       |
| ULB9160 A32K (add Key #) | Stainless Steel SC-1 Keyway Key #U, #W, #X, #Y, #Z |
| ULB9160 A32MK            | Stainless Steel SC-1 Keyway Master Keyed           |

|                       |   |
|-----------------------|---|
| <b>Storeroom Lock</b> |   |
| ULB9160 D32           | Stainless Steel SC-1 Keyway Keyed Different |
| ULB9160 D32KA         | Stainless Steel SC-1 Keyway Keyed Alike     |
| ULB9160 D32KU         | Stainless Steel SC-1 Keyway Key #U          |
| ULB9160 D32MK         | Stainless Steel SC-1 Keyway Master Keyed    |

|                       |                             |
|-----------------------|-----------------------------|
| <b>Classroom Lock</b> |                             |
| ULB9160R32            | Stainless Steel SC-1 Keyway |



Locksets

# B2635 Series Grade 3 Cylindrical Locksets

**Lock Housing and Chassis– Cold rolled steel with zinc dichromate finish for corrosion resistance. Requires standard 2 1/8" (53.97mm) bore through door.**

**GRADE  
3**



**Backset:** 2-3/4", optional - adjustable

**Door Thickness:** 1-3/8" to 1-3/4"

**Latch:** Zinc plated 3/8" throw

**Guarded Latchbolt on all keyed functions**

**Latch front:** 1-1/8" X 2-1/4" for 2-3/4" backset or 1 X 2-1/4" for adjustable latch

**Strike:** 4-7/8" A.S.A, option — 2-3/4" T strike, or 2-1/4" full lip strike.

**Cylinder:** Solid brass 6 pin keyed 5, SC-1 keyway, #1145 or AR-1 keyway. Locks will accept Lori plugs. Keyed alike #'s available, Master key and Grand Master key available.

**Keys:** 3 per lock

**Handed:** Non-handed

**Finishes:** US3, US32D

**Packaging:** 20 per case– boxed

**Standard Package:** Keyed functions include — 2-3/4" backset latch- 4-7/8" A.S.A strike, SC-1 keyway, 1 spin on rose, 1 snap on rose, 3 keys

**Available Functions:** Entrance, Passage, Privacy, Storeroom, Classroom or Single Dummy

**Trim:** Knob 1-7/8" dia., Rose 2-3/4" dia., Projection from door surface 2-1/2"

Manufactured to the highest quality standards and exceeding Grade 3 Certification, our **B2630 Series** is crafted to install easily, accepts most industry cylinders and provides heavy duty performance as compared to other brands offering standard or light duty Grade 3 locksets.

## Contractor Quality® Cylindrical Construction

| Product Number | Description |
|----------------|-------------|
|----------------|-------------|

### Entry Lock

|            |                                 |
|------------|---------------------------------|
| B2635 PBKD | Polished Brass Keyed Different  |
| B2635 PBK4 | Polished Brass Keyed Alike in 4 |
| B2635 PBKU | Polished Brass Key #U           |
| B2635 PBKW | Polished Brass Key #W           |
| B2635 PBKX | Polished Brass Key #X           |
| B2635 SSKD | Stainless Steel Keyed Different |
| B2635 SSKU | Stainless Steel Key #U          |
| B2635 SSKW | Stainless Steel Key #W          |
| B2635 SSKX | Stainless Steel Key #X          |

### Passage Set

|          |                 |
|----------|-----------------|
| B2638 PB | Polished Brass  |
| B2638 SS | Stainless Steel |

### Privacy Lock

|          |                 |
|----------|-----------------|
| B2639 PB | Polished Brass  |
| B2639 SS | Stainless Steel |

### Storeroom Lock

|            |                        |
|------------|------------------------|
| B2634 PB   | Polished Brass         |
| B2634 SS   | Stainless Steel        |
| B2634 SSKU | Stainless Steel Key #U |

| Product Number | Description |
|----------------|-------------|
|----------------|-------------|

### Classroom Lock

|          |                 |
|----------|-----------------|
| B2636 PB | Polished Brass  |
| B2636 SS | Stainless Steel |

### Dummy Knobs

|          |                 |
|----------|-----------------|
| B2637 PB | Polished Brass  |
| B2637 SS | Stainless Steel |
| 93815BX  | Antique Brass   |

Special keying available for locks on this page. Grade 3 adjustable Backset Latch available. See the main S. Parker catalog.

**B264 Series available with adjustable backset. Available finishes: Antique Brass, Polished Brass or Stainless Steel.**

**Call for details.**

# 72000 Series Grade 2 Deadbolts



## ANSI- A156.5, Auxiliary Locks- Grade 2

Use on A label or lesser doors when used in conjunction with a rated primary latching device

**Housing:** Heavy duty with body guard shield to increase strength against wrenching.

**Deadbolt:** 1" (25.4mm), solid steel with hardened insert, **UL and CUL Listed.**

**Backset:** 2-3/4" (69.9mm), optional-2-3/8" (60.3mm)

**Strikes:** Supplied with security strike, finish strike and dust box for steel or wood frames.

**Doors:** 1-3/8" (34.9mm) to 1-3/4" (44.5mm)

**Cylinders:** Solid brass, SC1 keyway, drilled 6, pinned 5, most OEM cylinders fit

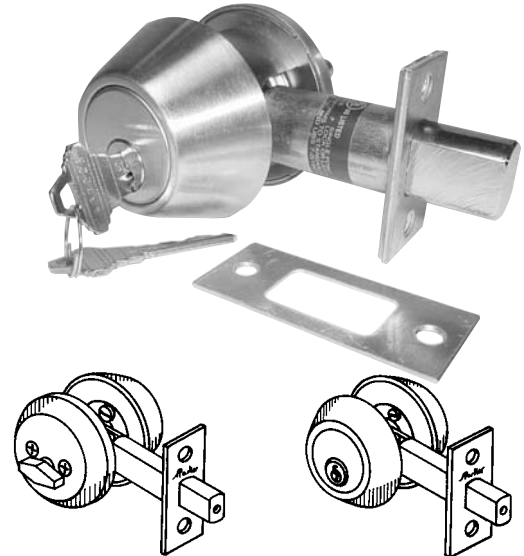
**Keying:** Single Cylinder, Double Cylinder, KA-4 available, 2 keys per deadbolt, single cylinder features deadlock interior thumbturn

**Finishes:** US3, US32D, US10B

**Thru Bolts:** 1/4" solid steel (2)

**Certification Compliance:** ANSI- 156.2, Grade 2- Auxiliary Locks, UL and CUL

**Packaging:** 20 per case



Single Cylinder Deadbolt

Double Cylinder Deadbolt

### Contractor Quality® Deadbolts

| Product Number                                | Description           | Product Number | Description           |
|---|-----------------------|----------------|-----------------------|
| <b>Single and Double Grade 2, 20 Per Case</b> |                       |                |                       |
| 72160   | Single Cylinder US3   | 72262          | Double Cylinder US32D |
| 72162   | Single Cylinder US32D | 72164          | Single Cylinder US10B |
| 72162K4                                       | Single Cylinder US32D |                |                       |

# 72160 Series Grade 2 IC Deadbolts



## ANSI- A156.5, Auxiliary Locks- Grade 2

Use on A label or lesser doors when used in conjunction with a rated primary latching device

**Housing:** Heavy Duty with exterior outer slip housing to prevent wrenching.

**Interchangeable Core:** Accepts all small format- 6 or 7 pin cores. Will accept - Best, Falcon, Arrow, Medeco, KSP, GMS and many others

**Deadbolt:** All solid, 1" steel for additional strength.

**Backset:** 2-3/4" (69.9mm), optional- 2-3/8" (60.3mm)

**Strikes:** Supplied with security strike, finish strike and dust box for steel or wood frames.

**Doors:** 1-3/8" (34.9mm) to 1-3/4" (44.5mm)

**IC Cores:** "Interchangeable Cores sold separately",

Interchangeable Cores available from S. Parker as per your keying requirements - Call for more information

**Finishes:** US32D and US3

**Thru Bolts:** 1/4" solid steel (2)

**Certification Compliance:** ANSI- 156.2, Grade 2- Auxiliary Locks when used with a rated primary latching device on A label or lesser doors.

**Packaging:** 20 per case



### Contractor Quality® Deadbolts

| Product Number                            | Description  |
|---|--|
| <b>IC Deadbolts, Grade 2, 20 Per Case</b> |  |
| 72160IC                                   | Single Cylinder for Interchangeable Core US3 - I Core Not Included   |
| 72162IC                                   | Single Cylinder for Interchangeable Core US32D - I Core Not Included |

**NJ:** (201) 569-1600 • **NYC:** (212) 925-6300 • **Toll-Free:** 1-800-S-PARKER • **Fax:** (201) 569-1082 or 1-877-636-5712 • **Web:** www.sparker.com



# 82000 Series Commercial Heavy Duty Deadbolts

## ANSI- A156.2, Auxiliary Locks – ADA Thumbturns

**Housing:** Heavy duty with body guard shield to increase strength against wrenching.

**Deadbolt:** 1" (25.4mm), solid brass with hardened insert

**Backset:** 2-3/4" (69.9mm), optional-2-3/8" (60.3mm)

**Strikes:** Supplied with security strike, finish strike and dust box for steel or wood frames.

**Doors:** 1-3/8" (34.9mm) to 1-3/4" (44.5mm)

**Cylinders:** Solid brass, SC1 keyway, drilled 6, pinned 5, most OEM cylinders fit

**Keying:** Single Cylinder, Double Cylinder, KA-2 and KA-4 available, 2 keys per deadbolt, single cylinder features deadlock interior thumbturn

**Finishes:** US3, US32D

**Thru Bolts:** 1/4" solid steel (2)

**Certification Compliance:** ANSI- 156.2, Auxiliary Locks

**Packaging:** 20 per case

**IC Cores:** "Interchangeable Cores sold separately",

Interchangeable Cores available from S. Parker as per your keying requirements – Call for more information

**Interchangeable Core:** Accepts all small formats: Best®, Falcon®, Arrow®, Keymark®, KSP®, GMS®, and widely used 6 or 7 pin cores.



## Contractor Quality® Deadbolts

| Product # | Description |
|-----------|-------------|
|-----------|-------------|

### Solid Bar Single Cylinder/Heavy Duty 2-3/4" Backset Boxed

- 82160.....Polished Brass SC-1 Keyway
- 82160 KU.....Polished Brass Key #U, SC-1 Keyway
- 82162.....Stainless Steel SC-1 Keyway
- 82162 K2.....Stainless Steel Keyed Alike in 2, SC-1 Keyway
- 82162 K4.....Stainless Steel Keyed Alike in 4, SC-1 Keyway
- 82162 KU.....Stainless Steel Keyed #U, SC-1 Keyway
- 82162 IC.....Stainless Steel for IC**

| Product # | Description |
|-----------|-------------|
|-----------|-------------|

### Solid Bar Double Cylinder/Heavy Duty 2-3/4" Backset Boxed

- 82260.....Polished Brass Keyblank SC-1 Keyway
- 82262.....Stainless Steel SC-1 Keyway
- 82262 E.....Stainless Steel 2-3/8" BS, SC-1 Keyway

# 92000 Series Residential Standard Duty Deadbolts

## ANSI- A156.2, Auxiliary Locks – ADA Thumbturns

**Housing:** Heavy Duty with exterior outer slip housing to prevent wrenching.

**Deadbolt:** All solid, 1" steel for additional strength.

**Backset:** 2-3/4" (69.9mm), optional- 2-3/8" (60.3mm)

**Strikes:** Supplied with security strike, finish strike and dust box for steel or wood frames.

**Doors:** 1-3/8" (34.9mm) to 1-3/4" (44.5mm)

**Cylinders:** Solid Brass, SC1 keyway, drilled 6, Pinned 5, Most OEM cylinders fit, keyed alike available, double cylinder available

**Finishes:** US32D and US3

**Through Bolts:** 1/4" solid steel (2)

**Certification Compliance:** ANSI- 156.2,

**Packaging:** 20 per case



## Contractor Quality® Deadbolts

| Product # | Description |
|-----------|-------------|
|-----------|-------------|

### Single Cylinder/Heavy Duty 2-3/4" Backset Commercial Quality Boxed

- 92160 PBKD.....Polished Brass Keyblank V Keyed Different SC-1 Keyway
- 92160 PBK\_(add Key#).....Polished Brass Key #U, #W, #X SC-1 Keyway
- 92160 SSKD.....Stainless Steel Keyblank V Keyed Different SC-1 Keyway
- 92160 SSK5.....Stainless Steel Keyblank V Keyed Alike in 5 SC-1 Keyway
- 92160 SSK\_(add Key#).....Stainless Steel Key #U, #W, #X SC-1 Keyway

| Product Number | Description |
|----------------|-------------|
|----------------|-------------|

### Double Cylinder/Heavy Duty 2-3/4" Backset Commercial Quality Boxed

- 92260 PBKD.....Polished Brass Keyblank V Keyed Different SC-1 Keyway
- 92260 SSKD.....Stainless Steel Keyblank V Keyed Different SC-1 Keyway
- 92260 SSK5.....Stainless Steel Keyblank V Keyed Alike in 5 SC-1SC-1 Keyway

**KW keyway is available, please call for more information**

Locksets

# Contractor Quality® Strikes

## ANSI Template Strike

This 2213 template strike with 4<sup>7</sup>/<sub>8</sub>" plate, 3<sup>3</sup>/<sub>8</sub>" lip and a width of 1<sup>1</sup>/<sub>4</sub>", comes brass plated, 2213BP; stainless steel, 2213SS; or oil rubbed bronze plated, 221310B; with sheet metal and machine screws included in the poly bag. Brass, B2213BP and zinc, B2213ZP, plated strikes are available in bulk, without screws.



| Product # | Description                           |
|-----------|---------------------------------------|
| 2213 BP   | Brass Plated                          |
| 2213 SS   | Stainless Steel                       |
| 2213 10B  | Oil Rubbed Bronze Plated              |
| B2213 BP  | Brass Plated Bulk Pack without Screws |
| B2213 ZP  | Zinc Plated Bulk Pack without Screws  |

## Template Strike

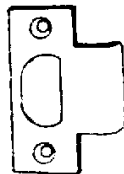
The 2212BP A.S.A. template strike is a 4<sup>7</sup>/<sub>8</sub>" plate, with a 3<sup>3</sup>/<sub>8</sub>" lip and a width of 1<sup>1</sup>/<sub>4</sub>". It is brass plated. Comes with sheet metal and machine screws.



| Product # | Description  |
|-----------|--------------|
| 2212 BP   | Brass Plated |

## 1-1/4" T Strikes

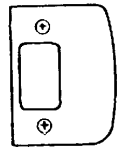
These S. Parker strikes with 1<sup>3</sup>/<sub>16</sub>" lips are 1<sup>1</sup>/<sub>8</sub>" wide x 2<sup>3</sup>/<sub>4</sub>" long, and come brass plated, 2214BP or nickel plated, 2214NP with sheet metal and machine screws.



| Product # | Description   |
|-----------|---------------|
| 2214 BP   | Brass Plated  |
| 2214 NP   | Nickel Plated |

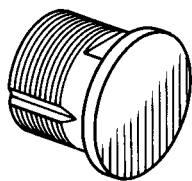
## Full Lip Strikes

Full lip strikes are 1<sup>5</sup>/<sub>8</sub>" x 2<sup>1</sup>/<sub>4</sub>" and come in brass plate, 92210, antique brass, 92211, and stainless steel, 92212. Comes with sheet metal and machine screws.



| Product # | Description     |
|-----------|-----------------|
| 92210     | Polished Brass  |
| 92211     | Antique Brass   |
| 92212     | Stainless Steel |

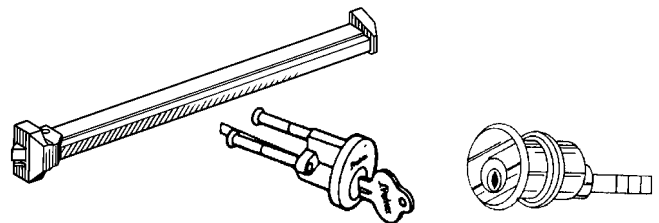
# Contractor Quality® Cylinders



## Dummy Mortise Cylinder

The 1311 dummy mortise cylinder is used to fill holes when 1" mortise cylinders are removed. Made of die cast metal. It is available in aluminum (1311 AL) and duranodic (1311 DUR) finishes.

| Product # | Description  |
|-----------|--------------|
| 1311 AL   | Aluminum 1"  |
| 1311 DUR  | Duranodic 1" |



## Rim Cylinders

S. Parker solid brass and solid bronze rim cylinders fit jimmy-proof lock and rim panic devices and other applications that require rim cylinders.

| Product #                            | Description                     |
|--------------------------------------|---------------------------------|
| <b>Solid Brass With Segal Keyway</b> |                                 |
| 1315 KA                              | Polished Brass Keyed Alike      |
| 1315 KD                              | Polished Brass Keyed Different  |
| 22135                                | Polished Brass Different Carded |

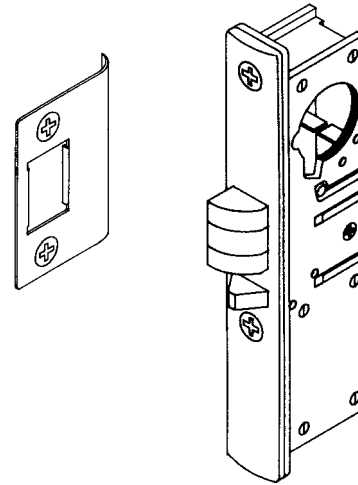
| Product #           | Description                 |
|---------------------|-----------------------------|
| <b>Solid Bronze</b> |                             |
| 1320 DURKD          | Duranodic Keyed Different   |
| 1320 DCHKA          | Dull Chrome Keyed Alike     |
| 1320 DCHKD          | Dull Chrome Keyed Different |
| 1320 DCHMK          | Dull Chrome Master Keyed    |

Locksets

# Narrow Stile Latch Locks

## Contractor Quality® Narrow Stile Latch Locks

S. Parker's 6201 series narrow stile latches may be used with the LP6201 lever handle and cam plug set, or with Number 1310 1" cylinders. The beveled face plate is 1" wide by 6 7/8" long, and the model is available less cylinders to fit into pre-existing keying systems. The narrow stile latch series is available in duranodic and aluminum, with 1 1/8" or 3 1/32" backsets. The latch is handed, and is available in left or right hand models. The 6301 heavy duty deadlatch version of the narrow stile latch with a 1 1/2" backset is available only in aluminum finish. The 6301 is ideal for new or replacement installations. No cylinders are furnished, but it takes a standard 1310 1" mortise cylinder with Adams-Rite cam and TR1310 thumb turn mortise cylinder for the inside. Narrow stile latches are also available with the LP6201 lever handle, with right and left hand models available in aluminum and duranodic finishes. Packed with full radius face plate.



## Contractor Quality® Narrow Stile Latch Locks

| Product # | Description |
|-----------|-------------|
|-----------|-------------|

### Narrow Stile Latch With All Metal Latches

- N6201 AL L.....Aluminum Left Hand 31/32" Backset
- N6201 AL R.....Aluminum Right Hand 31/32" Backset
- 6201 AL L.....Aluminum Left Hand 1-1/8" Backset
- 6201 AL R.....Aluminum Right Hand 1-1/8" Backset
- N6201 DUR L.....Duranodic Left Hand 31/32" Backset
- N6201 DUR R.....Duranodic Right Hand 31/32" Backset
- 6201 DUR L.....Duranodic Left Hand 1-1/8" Backset
- 6201 DUR R.....Duranodic Right Hand 1-1/8" Backset

| Product # | Description |
|-----------|-------------|
|-----------|-------------|

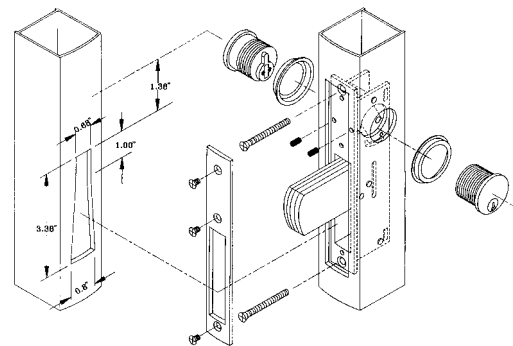
### Heavy Duty Deadlatch

- 6301 AL L.....Aluminum Left Hand 1-1/2" Backset
- 6301 AL R.....Aluminum Right Hand 1-1/2" Backset cylinder, or with thumbturn mortise cylinder, and the 31/32" backset, with the C6201 in 1-1/8" backset.

See page 36 for push and pull paddles.

## Bar Bolt Narrow Stile Deadbolts

The 6202 series bar bolt narrow stile deadbolts come with two cylinders, or without cylinders. The face plate is 1" x 6 7/8", and both 3 1/32" or 1 1/8" backsets are available. Both aluminum and duranodic finishes are available in this nonhanded deadbolt.



## Bar Bolt Narrow Stile Deadbolts

| Product # | Description |
|-----------|-------------|
|-----------|-------------|

### With 2 Cylinders

- N6202 AL.....Aluminum 31/32" Backset
- 6202 AL.....Aluminum 1-1/8" Backset
- N6202 DUR.....Duranodic 31/32" Backset
- 6202 DUR.....Duranodic 1-1/8" Backset

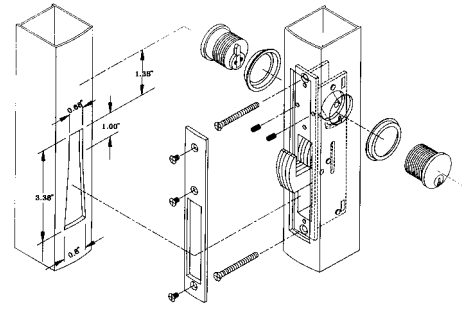
| Product # | Description |
|-----------|-------------|
|-----------|-------------|

### Less Cylinders

- N6202 LCAL.....Aluminum 31/32" Backset
- 6202 LCAL.....Aluminum 1-1/8" Backset
- N6202 LCDUR.....Duranodic 31/32" Backset
- 6202 LCDUR.....Duranodic 1-1/8" Backset

## Bar Bolt Narrow Stile Hookbolts

The 6202H hookbolt narrow stile has 1" x 6<sup>7</sup>/<sub>8</sub>" face plates, and comes with two cylinders, or without cylinders, in 1<sup>1</sup>/<sub>8</sub>" or 3<sup>1</sup>/<sub>2</sub>" backsets. Duranodic and aluminum finishes suit almost all applications for this non-handed hookbolt.

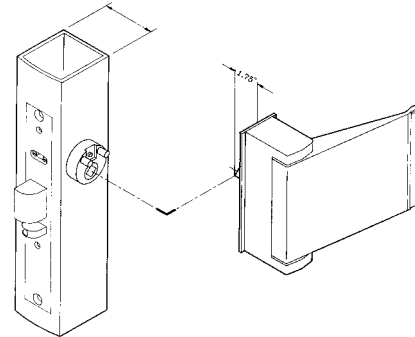


| Product #               | Description              |
|-------------------------|--------------------------|
| <b>With 2 Cylinders</b> |                          |
| N6202H AL.....          | Aluminum 31/32" Backset  |
| 6202H AL.....           | Aluminum 1-1/8" Backset  |
| N6202H DUR.....         | Duranodic 31/32" Backset |
| 6202H DUR.....          | Duranodic 1-1/8" Backset |

| Product #                | Description              |
|--------------------------|--------------------------|
| <b>Without Cylinders</b> |                          |
| N6202H LCAL.....         | Aluminum 31/32" Backset  |
| 6202H LCAL.....          | Aluminum 1-1/8" Backset  |
| N6202H LCDUR.....        | Duranodic 31/32" Backset |
| 6202H LCDUR.....         | Duranodic 1-1/8" Backset |

## Push & Pull Paddles

This well designed paddle was made specifically to operate trouble free with any narrow stile latch. It has 2 heavy duty compression springs, 2 reversible non-handed gear blocks that move in precisely engineered channels. Complete with mounting hardware and cam plug. Replaces popular industry models and is interchangeable with Adams-Rite®. Reversible for hand & function (push/pull).



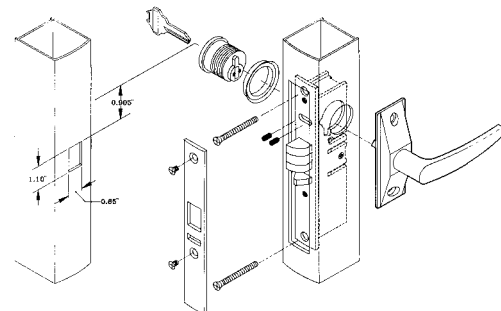
## Hook Bolt Narrow Stile Deadbolts

| Product #               | Description          |
|-------------------------|----------------------|
| <b>Push Type Paddle</b> |                      |
| PUSH 6201 ALL.....      | Aluminum Left Hand   |
| PUSH 6201 ALR.....      | Aluminum Right Hand  |
| PUSH 6201 DUR L.....    | Duranodic Left Hand  |
| PUSH 6201 DUR R.....    | Duranodic Right Hand |

| Product #               | Description          |
|-------------------------|----------------------|
| <b>Pull Type Paddle</b> |                      |
| PULL 6201 ALL.....      | Aluminum Left Hand   |
| PULL 6201 ALR.....      | Aluminum Right Hand  |
| PULL 6201 DUR L.....    | Duranodic Left Hand  |
| PULL 6201 DUR R.....    | Duranodic Right Hand |

## Lever Handle with Cam Plug

LP6201 lever handle and cam plug sets are available individually to fit narrow stile latches. Available in both aluminum and duranodic finishes, the sets are handed for left and right uses, and are field reversible.



## Hook Bolt Narrow Stile Deadbolts

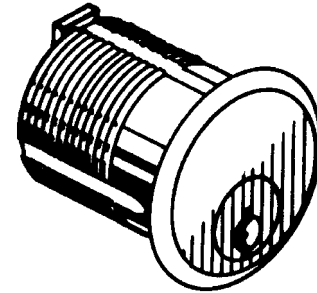
| Product #         | Description          |
|-------------------|----------------------|
| LP6201 AL L.....  | Aluminum Left Hand   |
| LP6201 AL R.....  | Aluminum Right Hand  |
| LP6201 DUR L..... | Duranodic Left Hand  |
| LP6201 DUR R..... | Duranodic Right Hand |

Locksets

# Mortise Cylinders

## Contractor Quality® Cylinders

S. Parker's mortise cylinders come in several finishes and use a solid brass, 5 pin, tumbler for security. Several sizes along with thumb turn models, keyed alike or keyed differently are available. The Thumbturn model can be used with 6201 Narrow Stile Latch Series, 6202H or N6202H series Hook Bolt, LP6201 Lever handle or 6201 Paddle series.



**Solid Brass Mortise Cylinders available in 3 sizes 1", 1-1/8" and 1-1/4". Many finishes and keyways are available.**

| Product # | Description |
|-----------|-------------|
|-----------|-------------|

**Keyed Model 2 Keys - 2 Trim Rings per pair**

- 1310 A605K2 .....Arrow 1" Diecast Mortise Cyl. PB AR
- 1310 A628K2 .....Arrow 1" Diecast Mortise Cyl. AL AR
- 1310 A686K2 .....Arrow 1" Diecast Mortise Cyl. BLK AR
- 1310 A695K2 .....Arrow 1" Diecast Mortise Cyl. DUR AR
- 1310 A625K2 .....Arrow 1" Diecast Mortise Cyl. PCH AR
- 1310 K628K2 .....Kwikset 1" Diecast Mortise Cyl. AL AR
- 1310 K695K2 .....Kwikset 1" Diecast Mortise Cyl. DUR AR
- 1310 PB1K2.....Polished Brass 1" Keyed Alike in 2 AR
- 1310 PB1QKD.....Polished Brass 1-1/4" with Segal Keyed Diff. AR
- 1310 S605K2 .....Schlage 1" Diecast Mortise Cyl. PB AR
- 1310 S625K2 .....Schlage 1" Diecast Mortise Cyl. PCH AR
- 1310 S628KA.....Schlage 1" Diecast Mortise Cyl. KA AL AR
- 1310 S628K2 .....Schlage 1" Diecast Mortise Cyl. AL AR
- 1310 S686K2 .....Schlage 1" Diecast Mortise Cyl. BLK AR
- 1310 S695KA.....Schlage 1" Diecast Mortise Cyl. KA DUR AR
- 1310 S695K2 .....Schlage 1" Diecast Mortise Cyl. DUR AR
- 1310 Y605K2 .....Yale 1" Diecast Mortise Cyl. PB AR
- 1310 Y625K2 .....Yale 1" Diecast Mortise Cyl. PCH AR
- 1310 Y628K2 .....Yale 1" Diecast Mortise Cyl. AL AR
- 1310 Y686K2 .....Yale 1" Diecast Mortise Cyl. BLK AR
- 1310 Y695K2 .....Yale 1" Diecast Mortise Cyl. DUR AR

**1" Solid Brass Mortise Cylinders 2 Keys - 2 Trim Rings per pair**

- 1313A605K2 .....Arrow 1" Solid Brass Mortise Cyl. POL BR AR
- 1313A626K2 .....Arrow 1" Solid Brass Mortise Cyl. DCH AR
- 1313A628K2 .....Arrow 1" Solid Brass Mortise Cyl. ALUM AR
- 1313A695K2 .....Arrow 1" Solid Brass Mortise Cyl. DURO AR
- 1313K605K2 .....Kwikset 1" Solid Brass Mortise Cyl. POL BR AR
- 1313K626K2 .....Kwikset 1" Solid Brass Mortise Cyl. DCH AR
- 1313K628K2 .....Kwikset 1" Solid Brass Mortise Cyl. ALUM AR
- 1313K628KAL .....Kwikset 1" Solid Brass Mortise Cyl. ALUM KA "L" AR
- 1313K628KAM .....Kwikset 1" Solid Brass Mortise Cyl. ALUM KA "M" AR
- 1313K695K2 .....Kwikset 1" Solid Brass Mortise Cyl. DURO AR
- 1313S605K2 .....Schlage 1" Solid Brass Mortise Cyl. POL BR AR
- 1313S626K2 .....Schlage 1" Solid Brass Mortise Cyl. DCH AR
- 1313S628K2 .....Schlage 1" Solid Brass Mortise Cyl. ALUM AR
- 1313S695K2 .....Schlage 1" Solid Brass Mortise Cyl. DURO AR
- 1313S628KAE .....Schlage 1" Solid Brass Mortise Cyl. ALUM KA"E" AR
- 1313S628KAF.....Schlage 1" Solid Brass Mortise Cyl. ALUM KA"F" AR
- 1313S628KAG .....Schlage 1" Solid Brass Mortise Cyl. ALUM KA"G" AR
- 1313Y605K2 .....Yale 1" Solid Brass Mortise Cyl. POL BR AR
- 1313Y626K2 .....Yale 1" Solid Brass Mortise Cyl. DCH AR
- 1313Y628K2 .....Yale 1" Solid Brass Mortise Cyl. ALUM AR
- 1313Y695K2 .....Yale 1" Solid Brass Mortise Cyl. DURO AR

| Product # | Description |
|-----------|-------------|
|-----------|-------------|

**1-1/8" Solid Brass Mortise Cylinders 2 keys - 1 Trim Ring per cyl.**

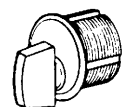
- 1318A605KD .....Arrow 1-1/8" Solid Brass Mortise Cyl. PB YA
- 1318A626KD .....Arrow 1-1/8" Solid Brass Mortise Cyl. DCH YA
- 1318A628KD .....Arrow 1-1/8" Solid Brass Mortise Cyl. ALUM YA
- 1318A695KD .....Arrow 1-1/8" Solid Brass Mortise Cyl. DURO YA
- 1318K605KD .....Kwikset 1-1/8" Solid Brass Mortise Cyl. PB YA
- 1318K626KD .....Kwikset 1-1/8" Solid Brass Mortise Cyl. DCH YA
- 1318K628KD .....Kwikset 1-1/8" Solid Brass Mortise Cyl. ALUM YA
- 1318K695KD .....Kwikset 1-1/8" Solid Brass Mortise Cyl. DURO YA
- 1318S605KD .....Schlage 1-1/8" Solid Brass Mortise Cyl. PB YA
- 1318S605KDCL .....Schlage 1-1/8" Solid Brass Mortise Cyl. PB Clover
- 1318S626KD .....Schlage 1-1/8" Solid Brass Mortise Cyl. DCH YA
- 1318S626KDCL .....Schlage 1-1/8" Solid Brass Mortise Cyl. DCH Clover
- 1318S628KD .....Schlage 1-1/8" Solid Brass Mortise Cyl. ALUM YA
- 1318S695KD .....Schlage 1-1/8" Solid Brass Mortise Cyl. DURO YA
- 1318Y695KD .....Yale 1-1/8" Solid Brass Mortise Cyl. DURO YA
- 1318Y605KD .....Yale 1-1/8" Solid Brass Mortise Cyl. PB YA
- 1318Y626KD .....Yale 1-1/8" Solid Brass Mortise Cyl. DCH YA
- 1318Y626KA .....Yale 1-1/8" Solid Brass Mortise Cyl. DCH KA YA
- 1318Y628KD .....Yale 1-1/8" Solid Brass Mortise Cyl. ALUM YA

**1-1/4" Solid Brass Mortise Cylinders 2 keys - 1 Trim Ring per cyl.**

- 1328A605KD .....Arrow 1-1/4" Solid Brass Mortise Cyl. PB YA
- 1328A626KD .....Arrow 1-1/4" Solid Brass Mortise Cyl. DCH YA
- 1328A628KD .....Arrow 1-1/4" Solid Brass Mortise Cyl. ALUM YA
- 1328A695KD .....Arrow 1-1/4" Solid Brass Mortise Cyl. DURO YA
- 1328K605KD .....Kwikset 1-1/4" Solid Brass Mortise Cyl. PB YA
- 1328K626KD .....Kwikset 1-1/4" Solid Brass Mortise Cyl. DCH YA
- 1328K628KD .....Kwikset 1-1/4" Solid Brass Mortise Cyl. ALUM YA
- 1328K695KD .....Kwikset 1-1/4" Solid Brass Mortise Cyl. DURO YA
- 1328S605KD .....Schlage 1-1/4" Solid Brass Mortise Cyl. PB YA
- 1328S605KDCL .....Schlage 1-1/4" Solid Brass Mortise Cyl. PB Clover
- 1328S626KD .....Schlage 1-1/4" Solid Brass Mortise Cyl. DCH YA
- 1328S626KDCL .....Schlage 1-1/4" Solid Brass Mortise Cyl. DCH Clover
- 1328S628KD .....Schlage 1-1/4" Solid Brass Mortise Cyl. ALUM YA
- 1328S695KD .....Schlage 1-1/4" Solid Brass Mortise Cyl. DURO YA
- 1328S695KDCL .....Schlage 1-1/4" Solid Brass Mortise Cyl. DURO Clover
- 1328Y605KD .....Yale 1-1/4" Solid Brass Mortise Cyl. PB YA
- 1328Y626KD .....Yale 1-1/4" Solid Brass Mortise Cyl. DCH YA
- 1328Y628KD .....Yale 1-1/4" Solid Brass Mortise Cyl. ALUM YA
- 1328Y695KD .....Yale 1-1/4" Solid Brass Mortise Cyl. DURO YA

**Thumbturn Model – 1 Trim Ring**

- TR1310626 .....Diecast Dull Chrome 1" AR
- TR1310695 .....Diecast Duranodic 1" AR
- SBTR1310.....Solid Brass 1" AR
- SBTR1310626.....Solid Brass Dull Chrome Finish 1" AR
- SBTR1310695.....Solid Brass Duranodic Finish 1" AR



Locksets

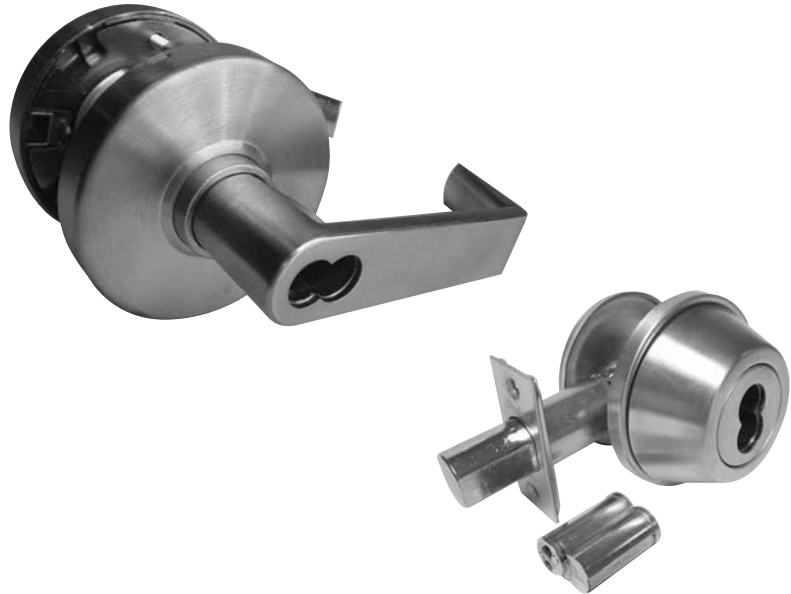
## Interchangeable Core Products

**S. Parker Hardware offers affordable access control**

**Who has copies  
of your keys?**

**How many employees  
who have keys, quit?**

**How many times have  
you had to call a  
locksmith to re-key  
your buildings?**



As an employer, you recognize the security risk you incur if you fail to re-key after an employee has left. You know that former employees have had access to keys and could have easily made copies. You know that the costs of re-keying can add up if you have to re-key every time an employee leaves.

Interchangeable cores can provide affordable and convenient solutions to these problems.

- IC keys are generally more difficult to copy than commercial keys. S. Parker can provide restricted keys for extra security.
- Commercial hardware can be easily be upgraded to IC hardware.
- IC systems offer many more key combinations than commercial systems. (4x's as many)
- IC hardware is available in many configurations such as lever handles, knob sets, deadbolts, padlocks, cabinet locks, rim and mortise cylinders.
- IC provides simple key changing by swapping of cores.

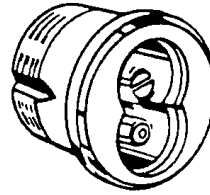
S. Parker hardware maintains a state of the art keying facility and can supply you with a Combined Master Keyed System in a timely fashion. Turn to S. Parker hardware when your business requires a complete solution to security.



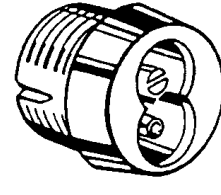
## Grade 2 Contractor Quality® Lever Sets Accept Interchangeable Core

The SL8160 Lever Sets are available prepared to accept an Interchangeable Core for increased security and convenient key control. These locks will accept original “Best,™” Falcon, Arrow, Keymark, Kaba and other interchangeable cores on the market. It will accept 6 or 7 pin cores. The interchangeable core advantage is that it is used in a number of different types of locks without the need to change the cylinder assembly. You can change the keying without removing the lockset from the door.

| Product #               | Item Number   | Description             |
|-------------------------|---------------|-------------------------|
| <b>Entry Lock</b>       | SL8160A26D IC | Dull Chrome (US26D)     |
| <b>Storeroom</b>        | SL8160D26D IC | Dull Chrome (US26D)     |
| <b>Boxed</b>            | SL8160D10B IC | Oil Rub Bronze (US 10B) |
| <b>Classroom</b>        | SL8160R26D IC | Dull Chrome (US26D)     |
| <b>Exit Device Trim</b> |               |                         |
| <b>Lever Handle</b>     | LL520DCHIC    | Dull Chrome Accepts IC  |



Flat Head

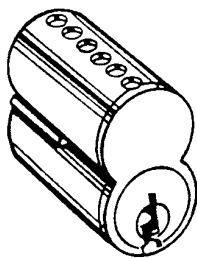


Tapered Head

## Interchangeable Core Mortise Housing

Available in flat head or tapered head in 6 pin or 7 pin. Available in US4 (satin brass) or US26D (dull chrome) and US10B (oil rubbed bronze). Specify Cam; standard Yale®, Adams-Rite®, Clover®, Sargent® and Schlage® “L” available on special request. Please see page 46 of main catalog for information regarding cores.

| Function     | Item# | Description                    |
|--------------|-------|--------------------------------|
| <b>6 Pin</b> | 16000 | Brass Flat Head                |
|              | 16002 | Dull Chrome Flat Head          |
|              | 16100 | Brass Tapered Head             |
|              | 16102 | Dull Chrome Tapered Head       |
|              | 16103 | Oil Rubbed Bronze Tapered Head |
|              | 16104 | Oil Rubbed Bronze Flat Head    |
| <b>7 Pin</b> | 17000 | Brass Flat Head                |
|              | 17002 | Dull Chrome Flat Head          |
|              | 17100 | Brass Tapered Head             |
|              | 17102 | Dull Chrome Tapered Head       |
|              | 17103 | Oil Rubbed Bronze Tapered Head |
|              | 17104 | Oil Rubbed Bronze Flat Head    |



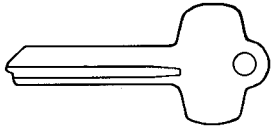
## 6 Pin & 7 Pin Interchangeable Cores

Made from solid top quality brass. Machined to exact tolerances. These cores are available in uncombined units or we can custom design or continue an existing system for you. Please specify keyway when ordering: A, B, C, D, E, F, G, H, J, K, L or M. S.Parker 1, 2, 3. Choice of finishes: US4 satin brass or US26D dull chrome.

| 6 Pin    |             | 6 Pin    |                | 7 Pin    |             | 7 Pin    |                |
|----------|-------------|----------|----------------|----------|-------------|----------|----------------|
| Item No. | Description | Item No. | Description    | Item No. | Description | Item No. | Description    |
| ICA64    | Brass Key A | ICA626D  | Dull Chr Key A | ICA74    | Brass Key A | ICA726D  | Dull Chr Key A |
| ICB64    | Brass Key B | ICB626D  | Dull Chr Key B | ICB74    | Brass Key B | ICB726D  | Dull Chr Key B |
| ICC64    | Brass Key C | ICC626D  | Dull Chr Key C | ICC74    | Brass Key C | ICC726D  | Dull Chr Key C |
| ICD64    | Brass Key D | ICD626D  | Dull Chr Key D | ICD74    | Brass Key D | ICD726D  | Dull Chr Key D |
| ICE64    | Brass Key E | ICE626D  | Dull Chr Key E | ICE74    | Brass Key E | ICE726D  | Dull Chr Key E |
| ICF64    | Brass Key F | ICF626D  | Dull Chr Key F | ICF74    | Brass Key F | ICF726D  | Dull Chr Key F |
| ICG64    | Brass Key G | ICG626D  | Dull Chr Key G | ICG74    | Brass Key G | ICG726D  | Dull Chr Key G |
| ICH64    | Brass Key H | ICH626D  | Dull Chr Key H | ICH74    | Brass Key H | ICH726D  | Dull Chr Key H |
| ICJ64    | Brass Key J | ICJ626D  | Dull Chr Key J | ICJ74    | Brass Key J | ICJ726D  | Dull Chr Key J |
| ICK64    | Brass Key K | ICK626D  | Dull Chr Key K | ICK74    | Brass Key K | ICK726D  | Dull Chr Key K |
| KICL64   | Brass Key L | ICL626D  | Dull Chr Key L | ICL74    | Brass Key L | ICL726D  | Dull Chr Key L |
| ICM64    | Brass Key M | ICM626D  | Dull Chr Key M | ICM74    | Brass Key M | ICM726D  | Dull Chr Key M |
| IC164    | Brass Key 1 | IC1626D  | Dull Chr Key 1 | IC174    | Brass Key 1 | IC1726D  | Dull Chr Key 1 |
| IC264    | Brass Key 2 | IC2626D  | Dull Chr Key 2 | IC274    | Brass Key 2 | IC2726D  | Dull Chr Key 2 |
| IC364    | Brass Key 3 | IC3626D  | Dull Chr Key 3 | IC374    | Brass Key 3 | IC3726D  | Dull Chr Key 3 |
| ICQ64    | Brass Key Q | ICQ626D  | Dull Chr Key Q | ICQ74    | Brass Key Q | ICQ726D  | Dull Chr Key Q |

CALL ABOUT PRIVATE LABEL ON FACE OF CORES.

NJ: (201) 569-1600 • NYC: (212) 925-6300 • Toll-Free: 1-800-S-PARKER • Fax: (201) 569-1082 or 1-877-636-5712 • Web: www.sparker.com



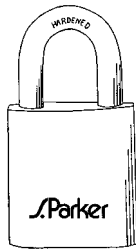
**Nickel Silver Key Blanks**

Custom keys, strong, durable made to exact tolerances as originals. Available in the following keyways: A, B, C, D, E, F, G, H, J, K, L or M. S.Parker 1, 2, or 3 restricted. Please specify keyway when ordering.

| Item#      | Description         | Item#      | Description         |
|------------|---------------------|------------|---------------------|
| KEY A..... | Nickel Silver Key A | KEY J..... | Nickel Silver Key J |
| KEY B..... | Nickel Silver Key B | KEY K..... | Nickel Silver Key K |
| KEY C..... | Nickel Silver Key C | KEY L..... | Nickel Silver Key L |
| KEY D..... | Nickel Silver Key D | KEY M..... | Nickel Silver Key M |
| KEY E..... | Nickel Silver Key E | KEY 1..... | Nickel Silver Key 1 |
| KEY F..... | Nickel Silver Key F | KEY 2..... | Nickel Silver Key 2 |
| KEY G..... | Nickel Silver Key G | KEY 3..... | Nickel Silver Key 3 |
| KEY H..... | Nickel Silver Key H |            |                     |

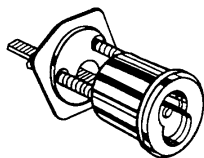
**Interchangeable Core Padlocks**

Solid brass body with stainless steel shackle. Weather resistant, can be used outdoors or indoors. Great for boats, sheds, gates, lockers, tool boxes, etc. Available in the following shackle lengths: 1½", 2", 3" and 4"



| Item#      | Description                             |
|------------|---|
| 11001..... | Solid Brass 1½" Stainless Steel Shackle |
| 11002..... | Solid Brass 2" Stainless Steel Shackle  |
| 11003..... | Solid Brass 3" Stainless Steel Shackle  |
| 11004..... | Solid Brass 4" Stainless Steel Shackle  |
| 11006..... | Solid Brass 6" Stainless Steel Shackle  |

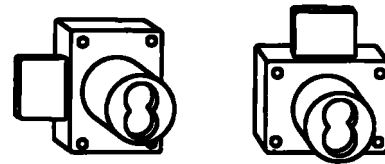
Add KR to item number for a Key Retaining System



**Interchangeable Core Rim Housing**

Available in 6 pin or 7pin units. Good for any Rim cylinder application. Available in US4 (satin brass), US26D (dull chrome) and US10B (oil rubbed bronze. US3 (polished brass) and US26 (polished chrome) available as special order. Cores sold separately. See page 46 of main catalog.

| Function | Item#     | Description       |
|----------|-----------|-------------------|
| 6 Pin    | 10200.... | Brass             |
|          | 10202.... | Dull Chrome       |
|          | 10203.... | Oil Rubbed Bronze |
| 7 Pin    | 11200.... | Brass             |
|          | 11202.... | Dull Chrome       |
|          | 11203.... | Oil Rubbed Bronze |



**Interchangeable Cylinder Core Cabinet & Drawer Locks**

Convenient field reversible, no appreciable down time. Accepts 6 and 7 pin core mechanisms. 1¼" standard barrel. Choice of finishes US26D dull chrome, US3 polished brass.

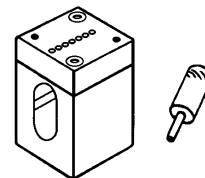
| Function     | Item#      | Description |
|--------------|------------|-------------|
| Cabinet Lock | 10000..... | Brass       |
|              | 10002..... | Dull Chrome |
| Drawer Lock  | 10100..... | Brass       |
|              | 10102..... | Dull Chrome |



**Interchangeable Core Ejector Pin**

Makes quick and easy work of "knocking out" pinned chambers. Another must tool for your shop.

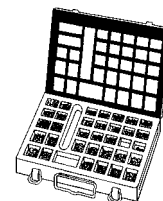
| Item#      | Description |
|------------|-------------|
| 10004..... | Ejector Pin |



**Interchangeable Core Capping Block**

Easily caps all 6 or 7 pin interchangeable cores one chamber at a time. A must tool for your shop!

| Item#      | Description   |
|------------|---------------|
| 10001..... | Capping Block |



**Interchangeable Core Pin Kits**

This simple kit is all you need to combine core cylinders. Easy to carry. Each pin is easy to identify as they are color coded. A-2 system. A3 and A4 available.

| Item#      | Description |
|------------|-------------|
| 10005..... | Pin Kit     |

Locksets